



CheckMate™ Lawn and Athletic Field Striping Kits

1125 Mak-Tech Dr, Suite C

◆ Lansing, MI 48906 ◆

800.411.0150

www.bigleaguelawns.com



CheckMate™ Lawn Striping Kit For Universal Push Mower Quick Release Installation Guide

Important

Big League Lawns, LLC warrants their products to be free of defects in material and workmanship. This warranty does not cover defects due directly or indirectly to misuse, abuse, normal wear and tear, failure to properly maintain the product or used for a purpose other than that for which it is intended. The duration of this warranty is expressly limited to one year parts and labor beginning from the date of delivery to the original customer.

The obligation of Big League Lawns, LLC is limited solely to the repair or replacement, at our option, at its factory or authorized repair agent of any part that should prove deficient. Purchaser must maintain the product under normal operating conditions at all times. Prior to operation, become familiar with the attachment and any disconnect features. This product is not intended to be used in a transport position or to be backed over curbs. When not in use, the product should be removed from the mower and transported in a safe manner. Failure to follow these instructions will void the warranty.



US Patent 6,962,039 B2, US Patent 6,993,894 B2

Mounting Instructions for Universal Push Mower Quick Release

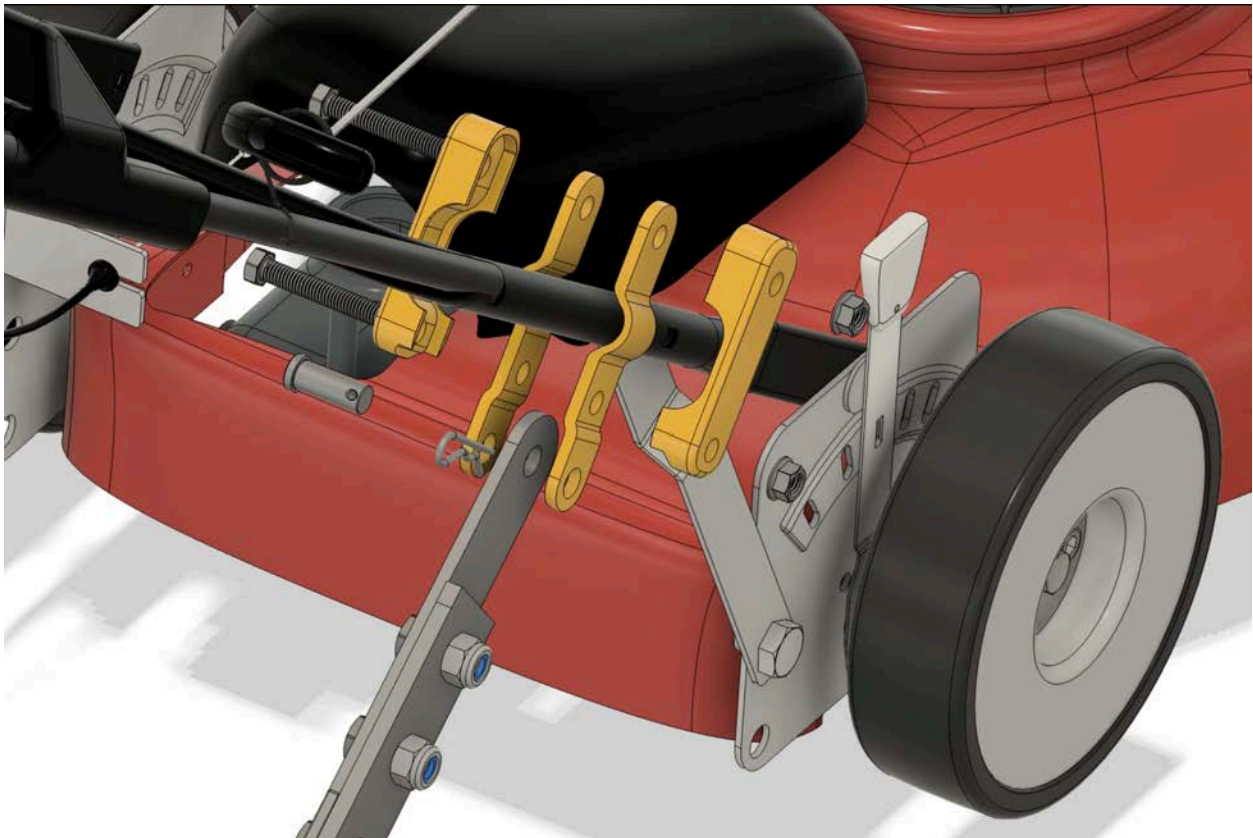
Congratulations on your new purchase! You are just steps away from creating a beautifully patterned lawn using your new CheckMate™ lawn striping roller. To ensure a long life of both your mower and roller, please be sure to follow the mounting recommendations below.

Tools Required:

9/16" Wrench



Step 1: Identify Installation Location (Anywhere on your handlebars, ideally as low (close to your frame) as possible):





US Patent 6,962,039 B2, US Patent 6,993,894 B2

Step 2: Prepare mounting location with silicon tape to insure a strong, snug install

Wrap the location on your handlebars where you plan to install your quick release with the provided silicon tape. (Shown Below) We recommend installing as low on your handlebars as possible, without impeding on any of your mower's functions.



Clamps Included:

"A" Handlebars Clamp Inserts: Fit standard **Round** handlebars. (**Most brands**)

"B" Handlebar Clamp Inserts: Fit larger diameter **Round** handlebars (**Honda**)

"C" Handlebar Clamp Inserts: Fit oversized **Round** handlebars: (**Kobalt, Ryobi, Milwaukee, etc.**) as well as **Oblong** oval handlebars (**EGO**)





US Patent 6,962,039 B2, US Patent 6,993,894 B2

Step 2: Install Quick Release

Once your mounting location is taped, you are ready to install your quick release.

Installation is quick and straight forward.

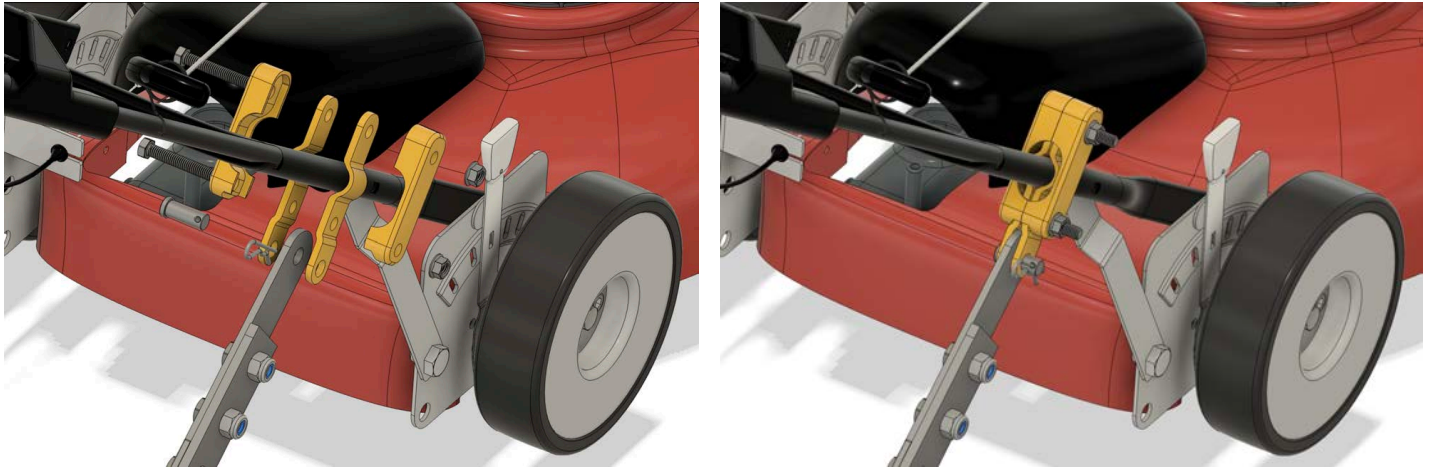
Identify the correct set of handlebar clamp inserts for your specific mower/handlebars.

Once identified, use the photos below as an installation guide. The install is the same for each type of clamp.



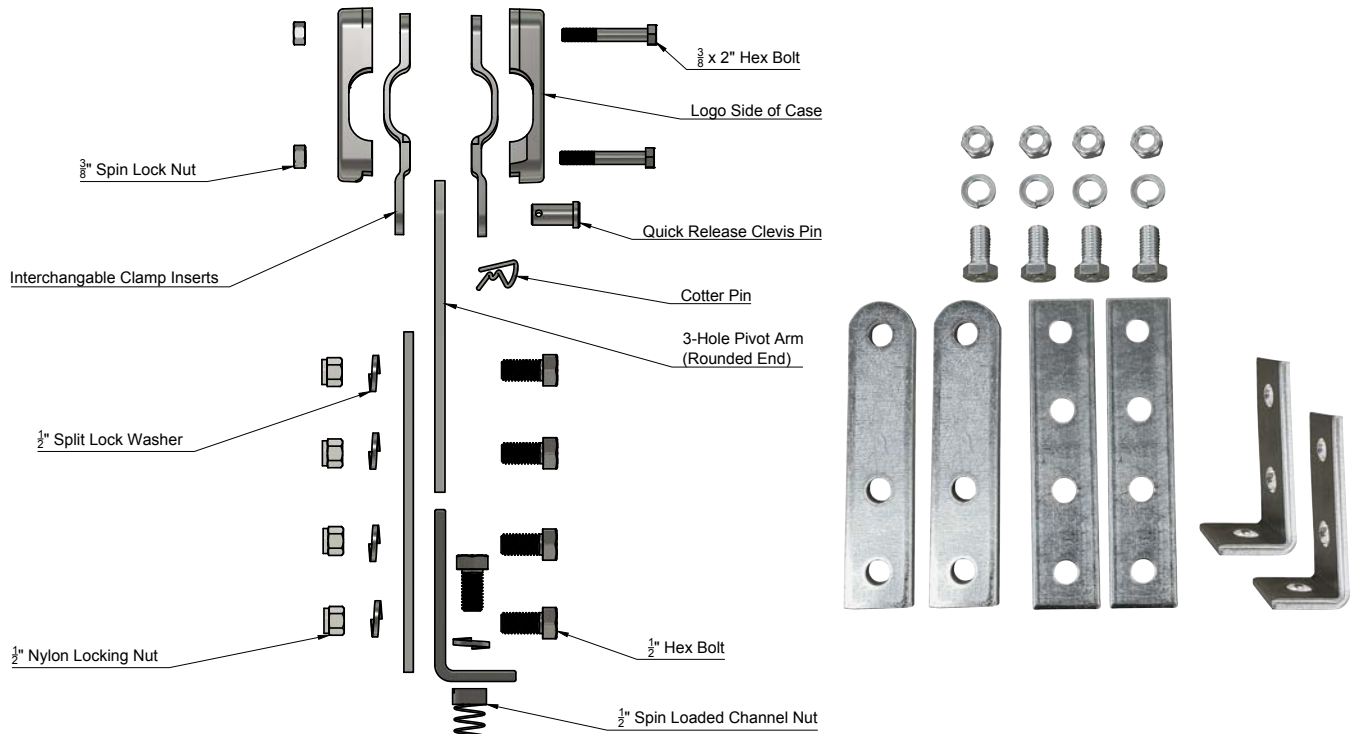
Once the Clamps and Case are in place, begin tightening down. You want it to be snug and not able to pivot around the bar. Start by tightening the bottom bolt and then begin tightening the top bolt. Continue alternating until the case is completely tightened down.

Note: You can double up on the provided silicon tape should your mount be too loose.



Step 2: Assemble Mounting Arms

Using the schematic below, assemble your mounting arms in order to connect to the Quick Release in the next step.

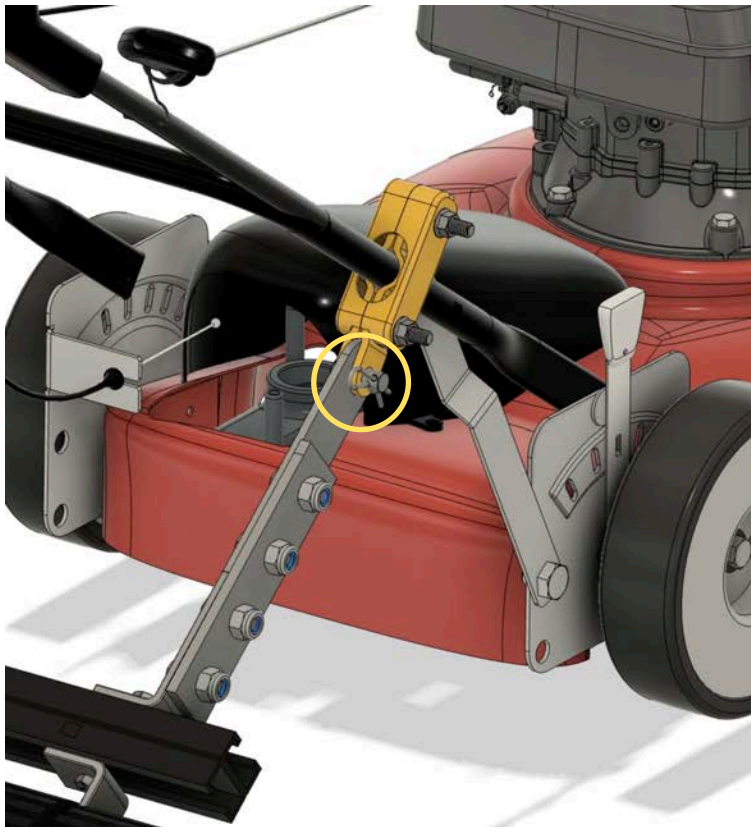




US Patent 6,962,039 B2, US Patent 6,993,894 B2

Step 3: Install Mounting Arms

Align your mounting arm between the two clamps, insert the provided clevis pin. This is your quick release mechanism.



Step 4: Install Striping Kit

Remove preinstalled 1/2" x 1" bolts and lock washers from gray channel. Re-insert the bolt [with split lock washer] through the L shaped bracket and thread into the channel nut inside channel. **(Before tightening bolts all the way down; center roller behind the mower)**

After centering the roller; use a 3/4" wrench to firmly tighten each mounting arm to the striping roller.

Final Steps

Check installation, pick up the roller to confirm it freely pivots up and down.

Installation is now complete! Enjoy your striping with your new CheckMate™ Striping kit!