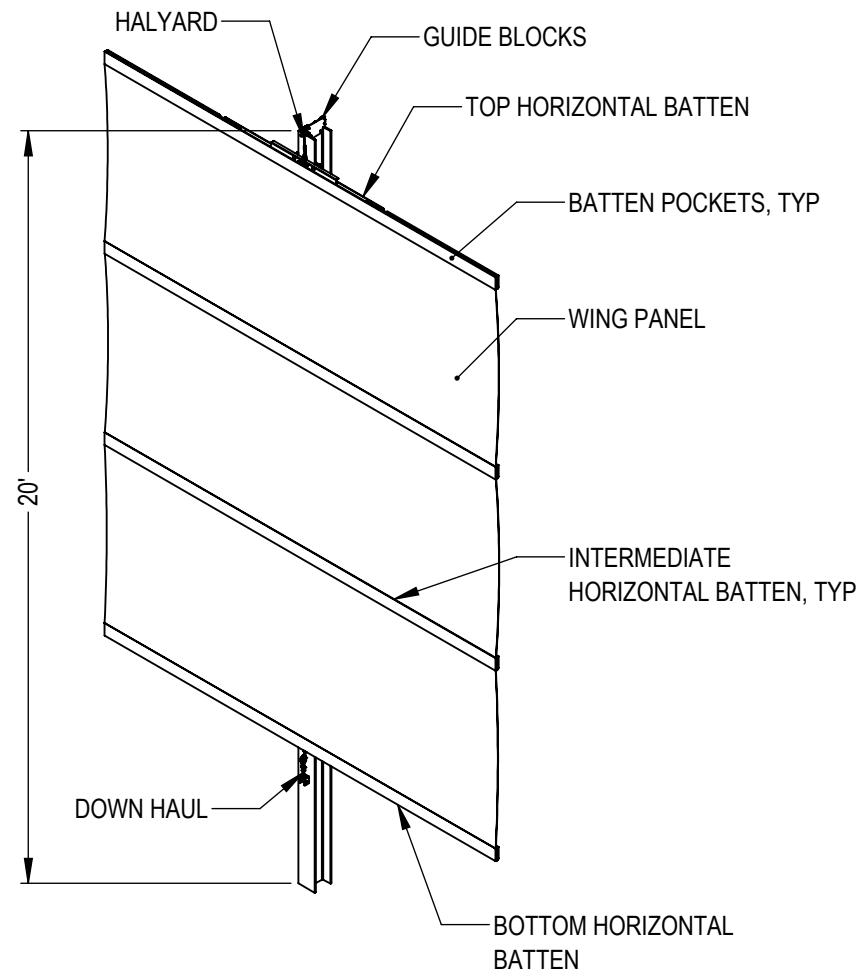


INSTANT EYE - CONCEPT & DESIGN:

THE BEACON INSTANT EYE IS A DEPLOYABLE VISUAL BACKGROUND DESIGNED TO TOLERATE WIND LOADS BY CHANGING SHAPE AND CROSS SECTIONAL AREA IN RESPONSE TO WIND PRESSURE. THE ALTERED SHAPE AND MOVEMENT RESULTS IN LOWER INSTANTANEOUS WIND LOADS AND THIS REDUCES THE COMPLEXITY AND COST OF THE REQUIRED SUPPORT STRUCTURE.

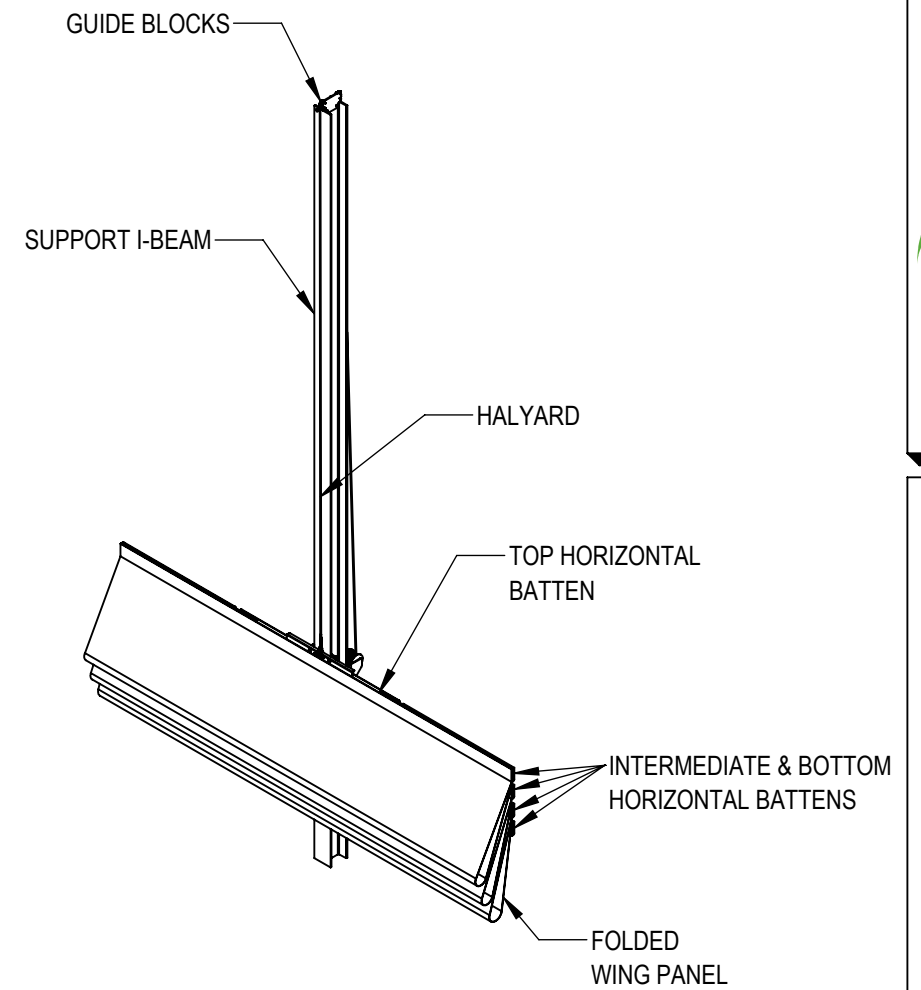
THE INSTANT EYE HAS A FURTHER ADVANTAGE, ESPECIALLY FOR HIGH WIND AREAS, IN THAT IT CAN BE RAISED AND LOWERED FROM THE GROUND IN A MATTER OF MINUTES. THIS PROVIDES FURTHER PROTECTION AGAINST DAMAGE DUE TO WEATHER AND FACILITATES THE REMOVAL OF THE PANEL FOR SEASONAL STORAGE.

INDIVIDUAL UNITS ARE INSTALLED SO THAT ADJACENT UNITS OVERLAP FOR CONTINUOUS VISUAL BLOCKAGE AND THEY HAVE A FORE AND AFT SEPARATION THAT ALLOWS INDEPENDENT MOVEMENT OF THE PANELS.



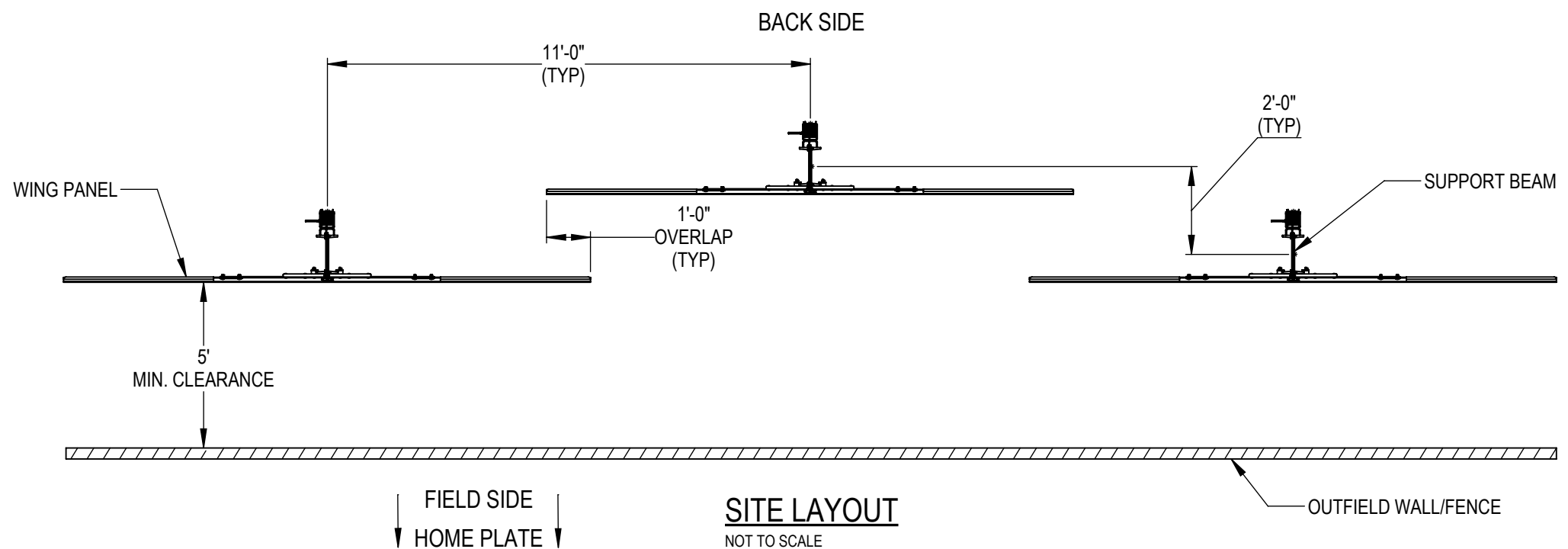
INSTANT EYE - RAISED

NOT TO SCALE



INSTANT EYE - LOWERED

NOT TO SCALE

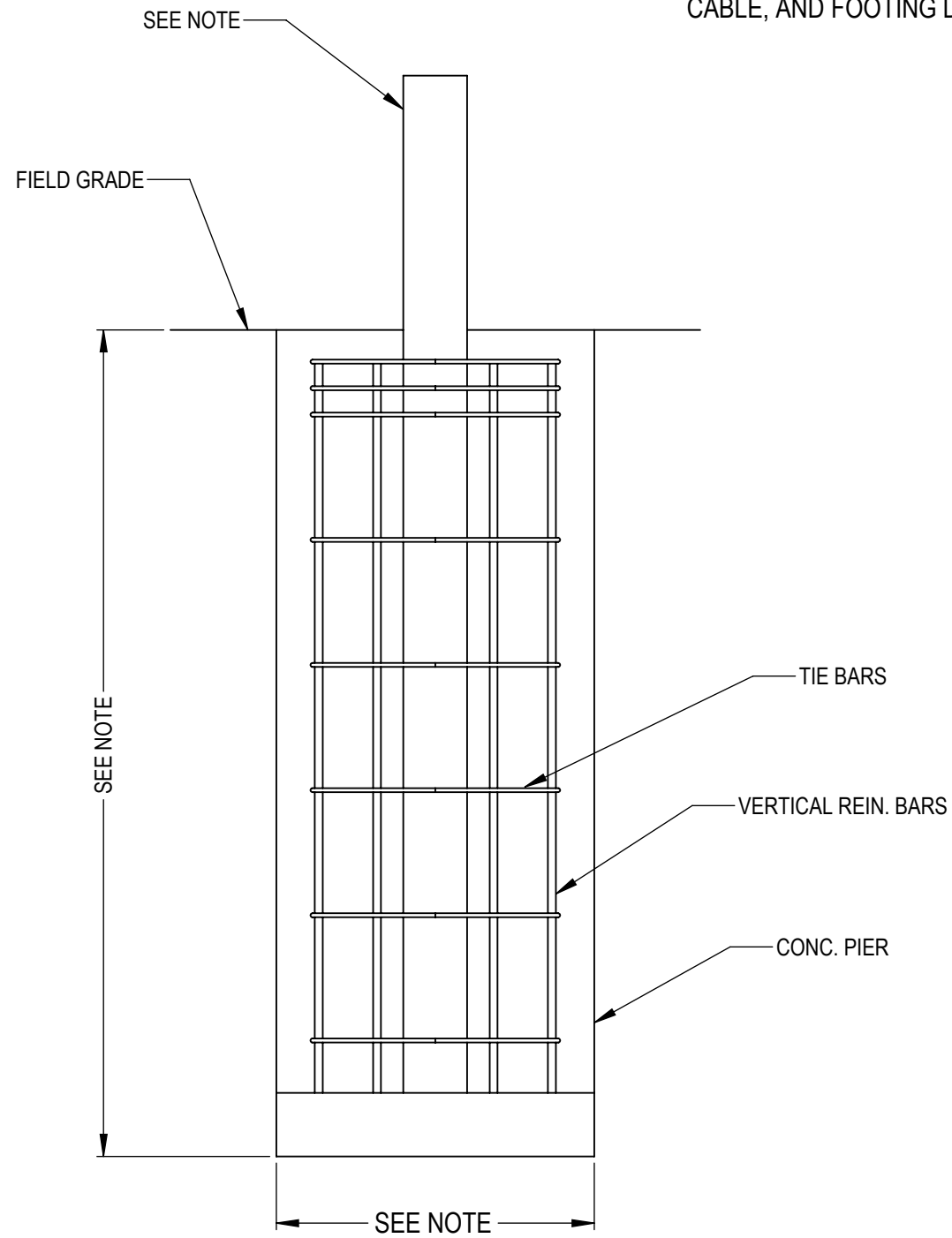


WING PANEL SPAN	
# OF PANELS	OVERALL SPAN
3	34'-0"
4	45'-0"
5	56'-0"
6	67'-0"
7	78'-0"

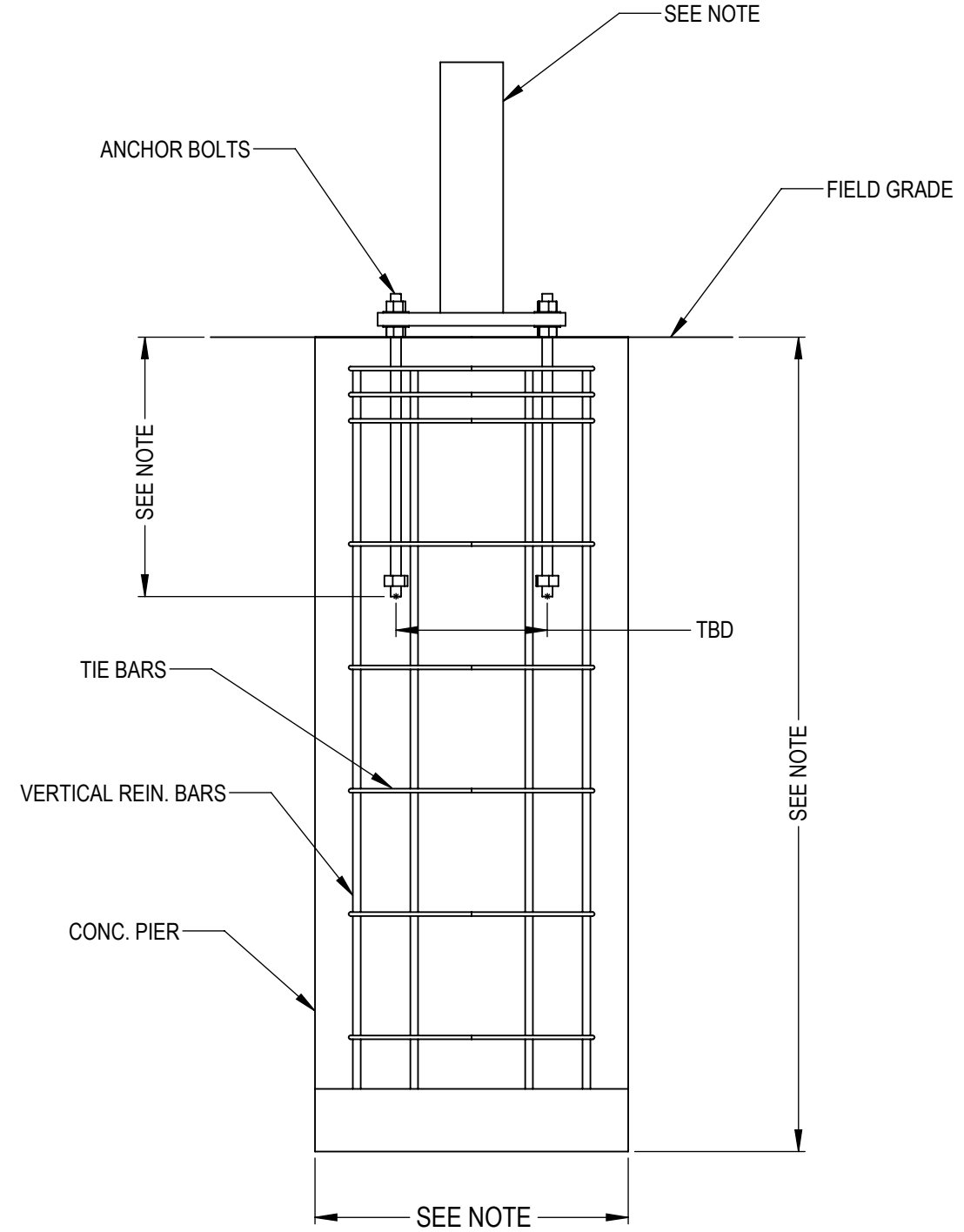
REVISION #	DATE	BY
1	03/04/2024	JD

PLEASE SELECT PREFERRED FOOTING OPTION

NOTE:
MANUFACTURER TO PROVIDE SIGNED AND SEALED
STRUCTURAL ENGINEERING REPORT TO INCLUDE I-BEAM,
CABLE, AND FOOTING DETAIL.



DIRECT BURY OPTION



BASE PLATE OPTION

REVISION #	BY	DATE
1	JD	03/04/2024