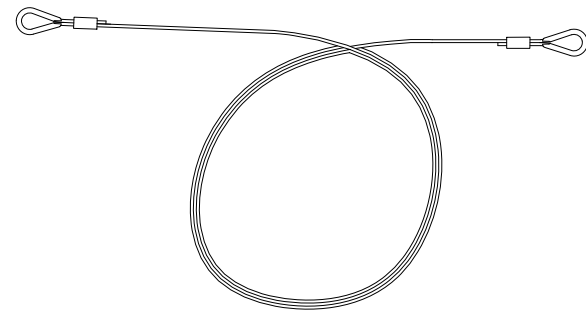
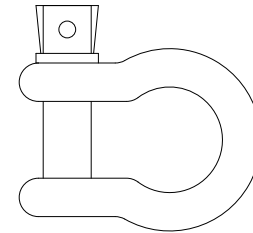




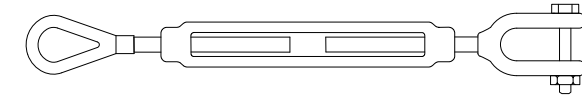
A Upright Post



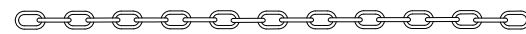
B Top Cable



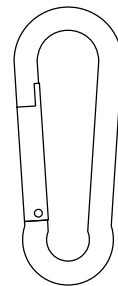
C Shackle



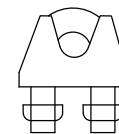
D Turnbuckle



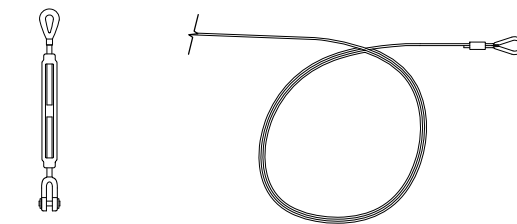
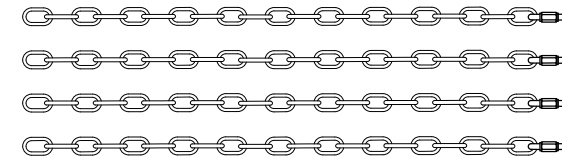
E Chain Door Weight



F Snap Hook



G Cable Clamp



H Ground Cable Kit
NOT ALL ITEMS SHOWN

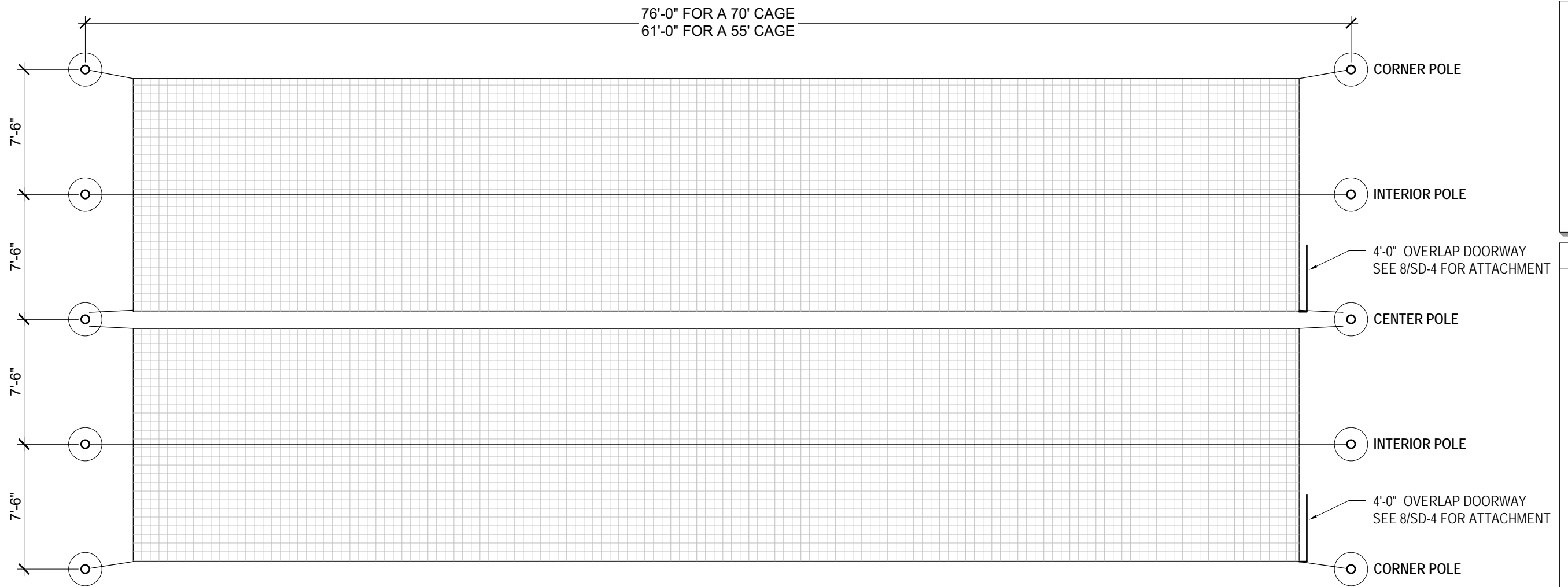
PARTS LIST

Sheet ID	QTY	DESCRIPTION
A	10	Upright Post
B	6	Top Cables (72'-0" L)
C	12	3/8" Shackles
D	6	1/2" Eye-Jaw Turnbuckle
E	2	Chain Door Weight (36" L)
F	VARIES	Snap Hooks (280 for 70' Cages <i>or</i> 220 for 55' Cages)
G	6	1/4" Cable Clamp (for net attachment)
H	2	Gound Cable Kit (See Attached Dwg Pkg.)
-	X	120# Cable Ties 8" (pack)
-	2	Premium Cage Net 70' L x 14' W x 12' H <i>or</i> Premium Cage Net 55' L x 14' W x 12' H

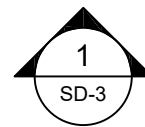
This is a standard Beacon Athletics product.
Any changes must be explicitly authorized and approved by Beacon Athletics.

REVISION #	DATE	BY
REV1	06/14/15	TMB

SCALE:	SEE DWG
DRAWN BY:	JP
DATE:	08/04/14
MODEL:	TFP55-2
PART #:	105-100-790
DRAWING NO:	PS-1



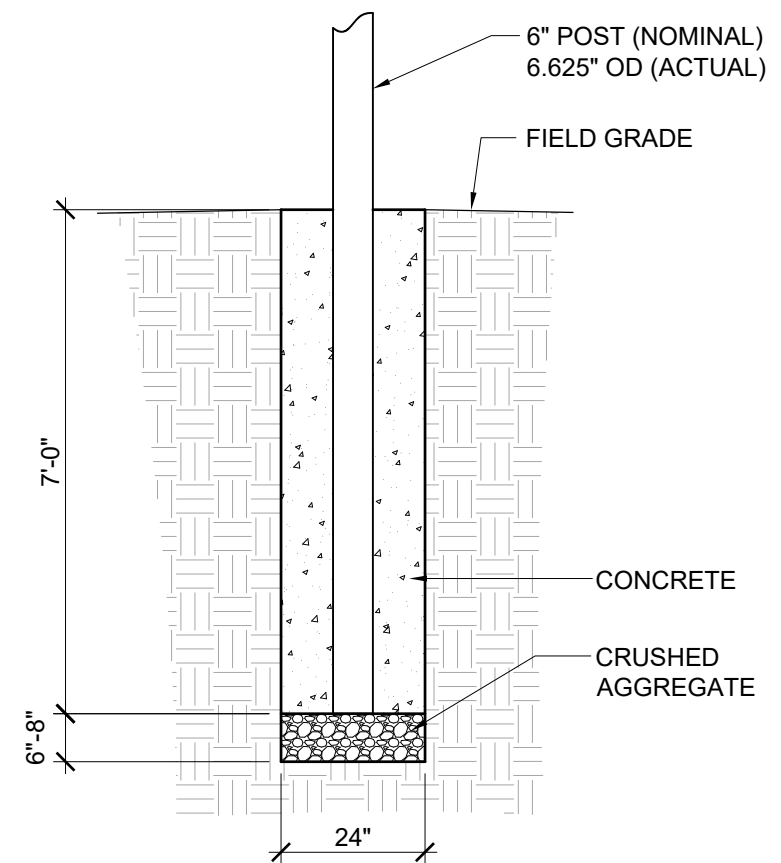
1 Plan View
Not to Scale



DIRECT BURY INSTALLATION

1. Locate and excavate footings according to the layout as noted in Detail 1 shown above and Detail 2 shown to the right. Pole positions are important as top cables have been pre-assembled based on the layout dimensions.
2. Fill bottom 6" - 8" of each footing with a coarse, crushed aggregate compacting in 2" lifts.
3. Set one Upright Post directly onto aggregate in center of each footing and brace appropriately to hold in place. The top of each pole should be set 14' above grade as shown in Detail 1 on Drawing SD-3.
4. Fill footings with 3,500 psi concrete mix and slope top surface away from each Upright Post to prevent water from pooling. Allow concrete to cure according to packaging instructions.
5. Repeat steps 3 and 4 and set remaining 5 Upright Posts.

IMPORTANT: IF FREEZING TEMPERATURES OCCUR IN YOUR LOCATION, DO NOT BLOCK BOTTOM OPENING OF UPRIGHT POSTS OR GROUND SLEEVES WITH CONCRETE. DAMAGE MAY OCCUR.



2 FOOTING DETAIL
Scale: 3/8" = 1'-0"



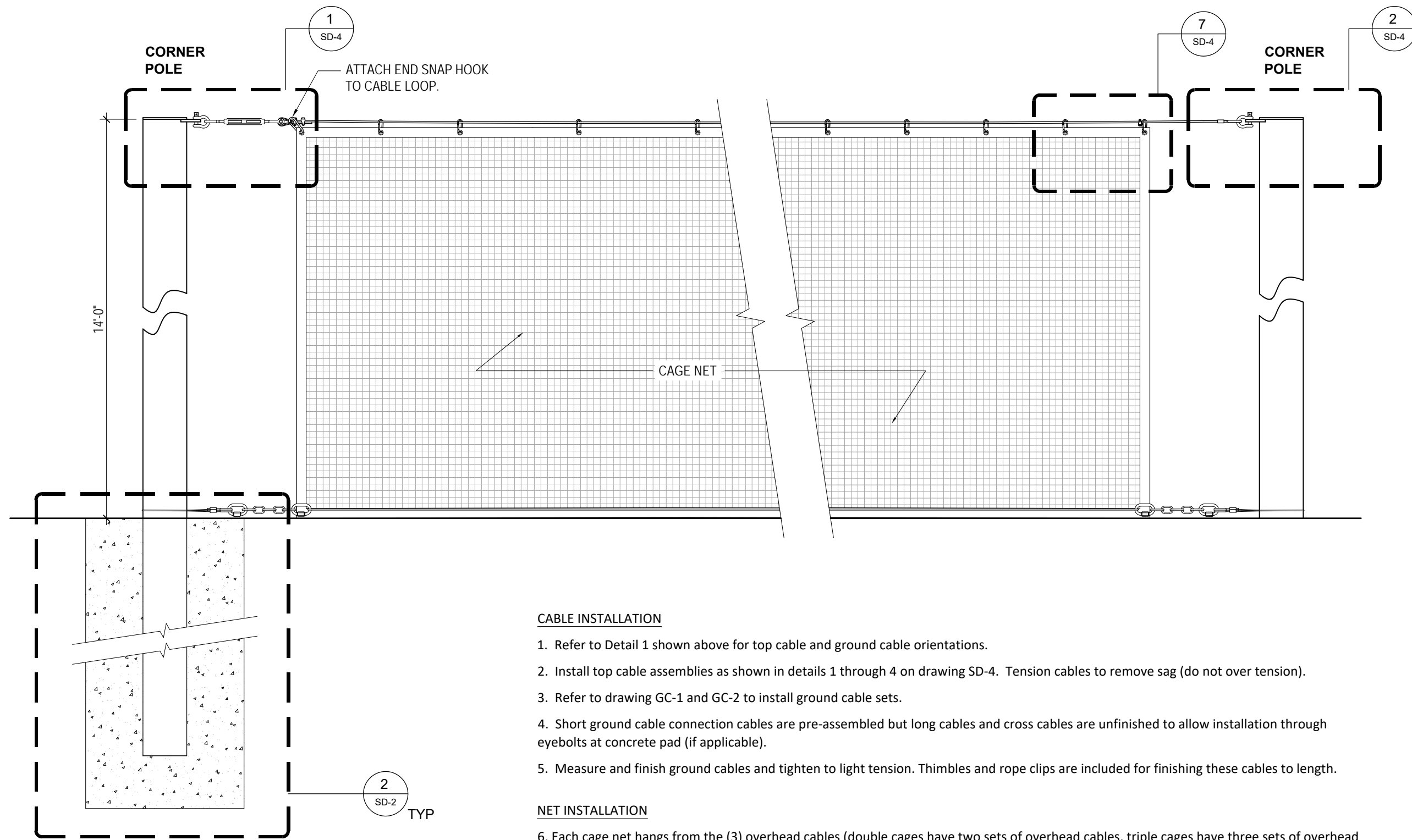
© Copyright 2014 Beacon Athletics, Division of Rainbow Group, LLC.

DRAWING TITLE: **TUFFframe™ PRO OUTDOOR 55' BATTING CAGE - DOUBLE LAYOUT & FOOTING DETAIL**

CUSTOMER NAME: -
PROJECT NAME: -
PROJECT LOCATION: -

REVISION #	DATE	BY
REV1	06/14/15	TMB

SCALE:	SEE DWG
DRAWN BY:	JP
DATE:	08/04/14
MODEL:	TFP55-2
PART #:	105-100-790
DRAWING NO:	SD-2



1 SIDE ELEVATION
Scale: 3/4" = 1'-0"

CABLE INSTALLATION

1. Refer to Detail 1 shown above for top cable and ground cable orientations.
2. Install top cable assemblies as shown in details 1 through 4 on drawing SD-4. Tension cables to remove sag (do not over tension).
3. Refer to drawing GC-1 and GC-2 to install ground cable sets.
4. Short ground cable connection cables are pre-assembled but long cables and cross cables are unfinished to allow installation through eyebolts at concrete pad (if applicable).
5. Measure and finish ground cables and tighten to light tension. Thimbles and rope clips are included for finishing these cables to length.

NET INSTALLATION

6. Each cage net hangs from the (3) overhead cables (double cages have two sets of overhead cables, triple cages have three sets of overhead cables and quad cages have four sets of overhead cables).
7. Lay out the cage under the top cables and be sure the orientation puts the doorway in the correct location - the door flap should be on the outside of the cage.
8. Start at one corner - the one that is adjacent to an outside cable turnbuckle. Using the snap clips, clip the corner of the net to the loop end of the top cable and continue connecting through the grommets along the perimeter reinforcement down towards the other end of the cable.
9. Locate and install one rope clip inside the corner snap clip so that it cannot slip back along the cable. See detail 7 on drawing SD-4
10. Repeat this process connecting the middle and other outside long vinyl reinforcements to the long overhead cables.
11. Use 120 lb. cable ties to attach the bottom hem of the cage net to the ground cables. Note the detail 8 on drawing SD-4 that shows how the doorway is finished with the weight chain.



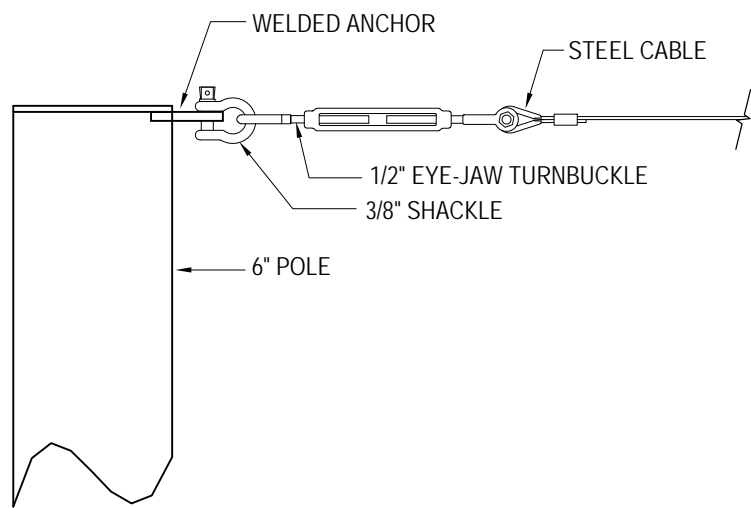
© Copyright 2014 Beacon Athletics, Division of Rainbow Group, LLC.

DRAWING TITLE: **TUFFframe™ PRO OUTDOOR 55' BATTING CAGE - DOUBLE ELEVATION**

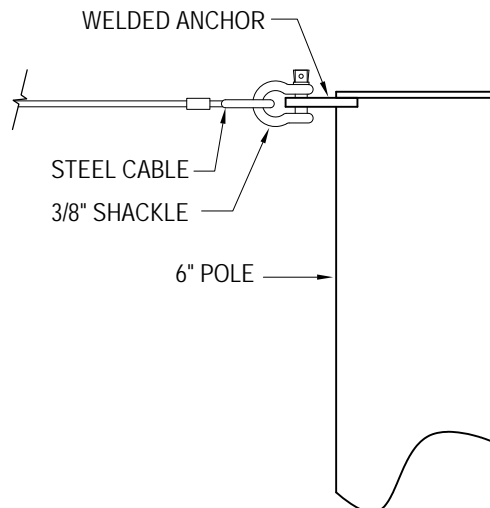
CUSTOMER NAME: -
PROJECT NAME: -
PROJECT LOCATION: -

REVISION #	DATE	BY
REV1	06/14/15	TMB

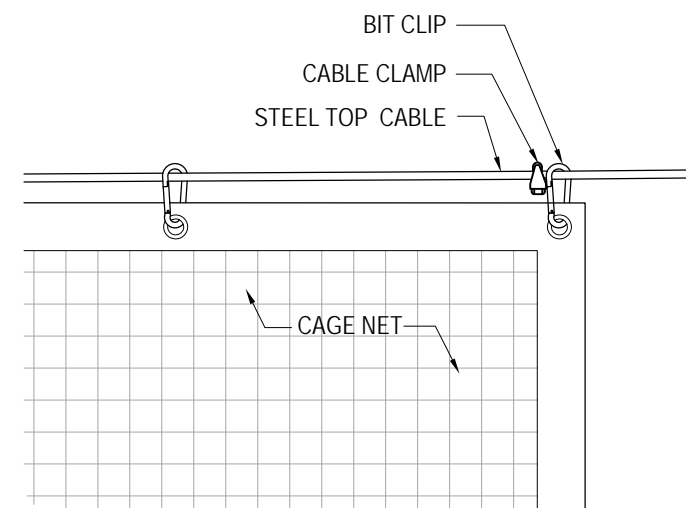
SCALE:	SEE DWG
DRAWN BY:	JP
DATE:	08/04/14
MODEL:	TFP55-2
PART #:	105-100-790
DRAWING NO:	SD-3



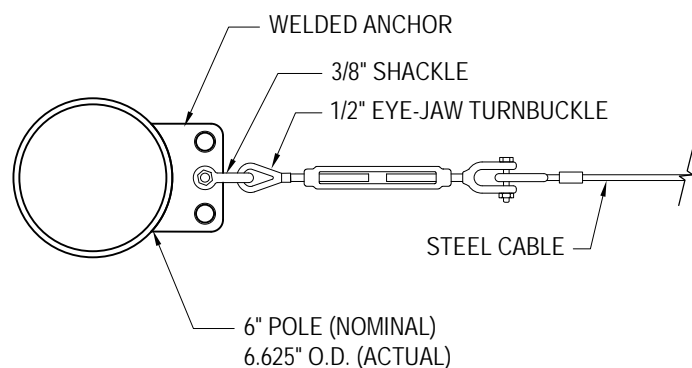
1 CABLE CONNECTION - SIDE VIEW
Scale: 1 1/2" = 1'-0"



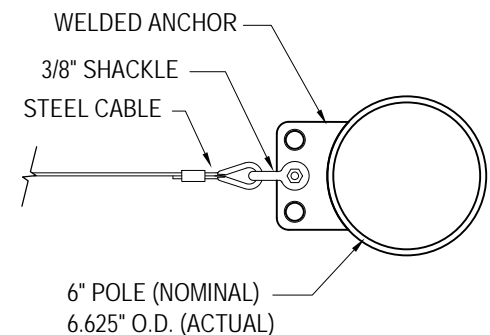
2 CABLE CONNECTION - SIDE VIEW
Scale: 1 1/2" = 1'-0"



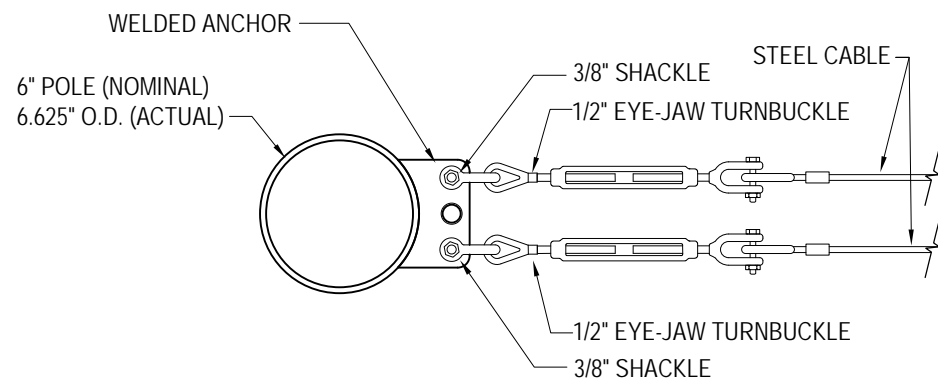
7 NET ATTACHMENT
Scale: Not to Scale



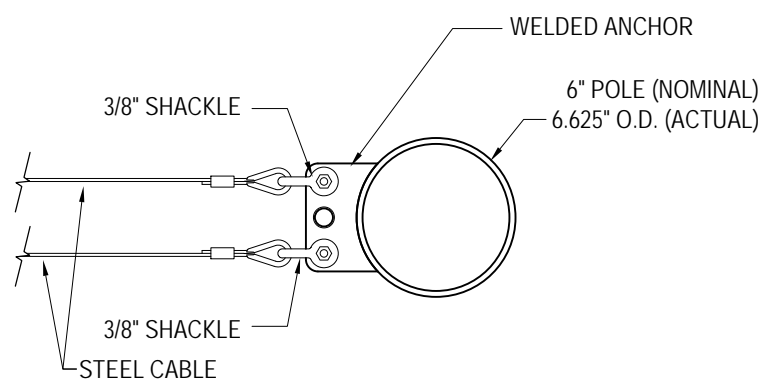
3 CORNER POLE CABLE - TOP VIEW
Scale: 1 1/2" = 1'-0"



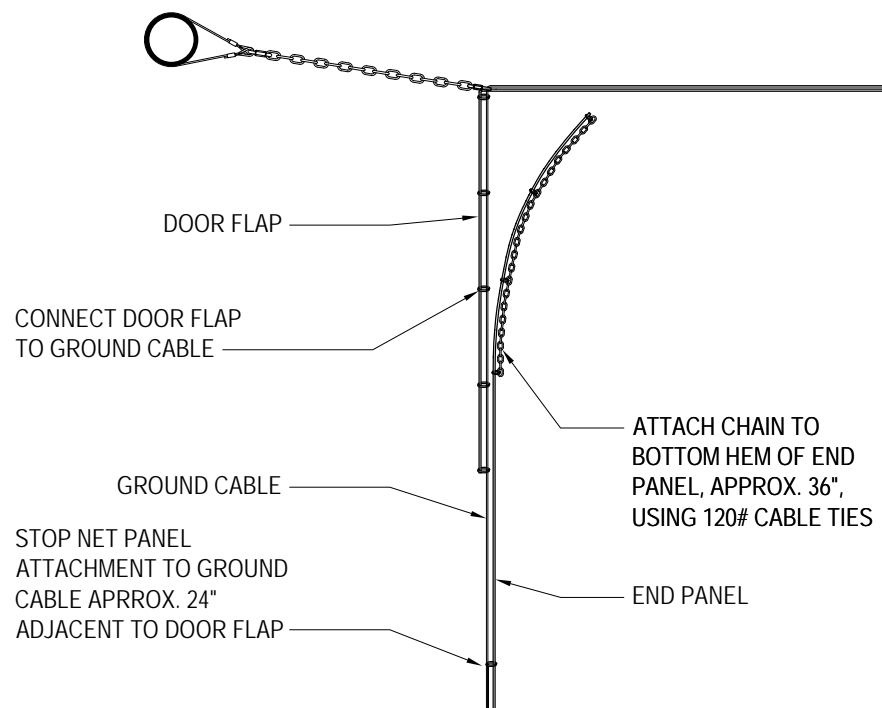
4 CORNER POLE CABLE - TOP VIEW
Scale: 1 1/2" = 1'-0"



5 CENTER POLE CABLE - TOP VIEW
Scale: 1 1/2" = 1'-0"



6 CENTER POLE CABLE - TOP VIEW
Scale: 1 1/2" = 1'-0"



8 DOOR FLAP ATTACHMENT
Scale: Not to Scale

NET STORAGE:

1. When packaging the cage net(s) for storage, the goal is to avoid tangling the net and cables. Begin by bringing the three support cables running along the top of the cage together. The easiest way to do this is to have one person at each end of the lowered cage. Each person collects the three cable end rings and pulls tension between each other so that the cables run adjacent and parallel to one another.
2. Lay the cables down on the top of the lowered cage and push the sides of the cage toward the cables until you have a full length pile of net about 2' wide with the cables on top.
3. Move your storage container to the middle of the net (a clean 55-gallon garbage can works well for this). Grab the net at the middle and push it down to the bottom of the container. Keep loading the net in from both sides equally until the entire cage is in the container and the three cable rings from each end of the cage are left hanging out opposite sides of the container's top opening.
4. To deploy the cage the next time, set the container in the middle of the designated cage area and have two people each take one set of cable rings and pull the net out of the container as they walk toward the support posts at opposite ends of the cage.



© Copyright 2014 Beacon Athletics, Division of Rainbow Group, LLC.

DRAWING TITLE: **TUFFframe™ PRO OUTDOOR 55' BATTING CAGE - DOUBLE DETAILS**
CUSTOMER NAME: -
PROJECT NAME: -
PROJECT LOCATION: -

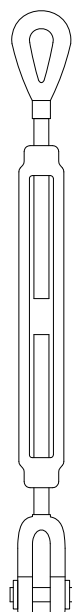
REVISION #	BY	DATE
REV 1	TMB	06/14/15

SCALE:	SEE DWG
DRAWN BY:	JP
DATE:	08/04/14
MODEL:	TFP55-2
PART #:	105-100-790
DRAWING NO:	SD-4

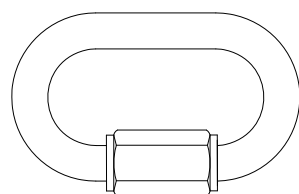
This is a standard Beacon Athletics product.
Any changes must be explicitly authorized and approved by Beacon Athletics.

PARTS LIST

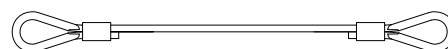
DETAIL ID	QTY	DESCRIPTION
A	1	Eye-Jaw Turnbuckle
B	8	Wide Jaw Quick Links
C	4	Short Steel Cable
D	1	Long Cable Assembly (172'-0" for 70' Cage) (142'-0" for 55' Cage)
E	2	Cable Clamp
F	1	Thimble
G	4	24" Adjustment Chain
-	50	120# Cable Ties 8" (pack)



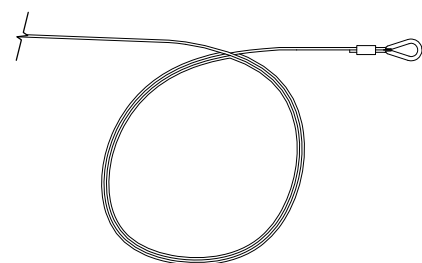
A Turnbuckle



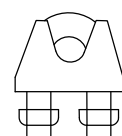
B Wide Jaw Quick Link



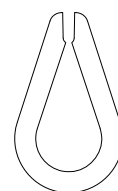
C Short Steel Cable



D Long Steel Cable



E Cable Clamp



F Thimble



G ADJUSTMENT CHAIN

© Copyright 2014 Beacon Athletics,
Division of Rainbow Group, LLC.

DRAWING TITLE:
**GROUND CABLE KIT
PARTS LIST AND IDENTIFICATION**

CUSTOMER NAME: -
PROJECT NAME: -
PROJECT LOCATION: -

REVISION #	DATE	BY

SCALE: NTS
DRAWN BY: EH
DATE: 12/15/16
MODEL: TFP55-2
PART #: 105-100-790
DRAWING NO:

GC-1

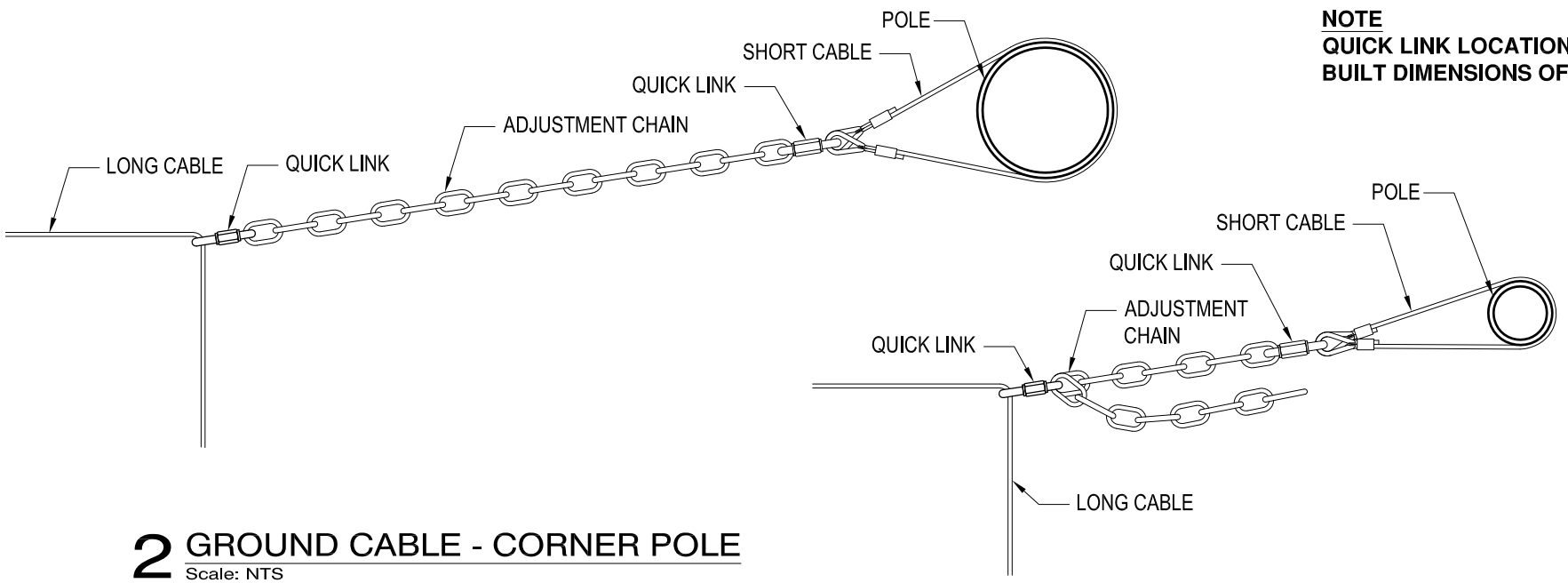
REVISION #	BY	DATE

SCALE:	NTS
DRAWN BY:	EH
DATE:	12/15/16
MODEL:	TFP55-2
PART #:	105-100-790
DRAWING NO:	

GC-2



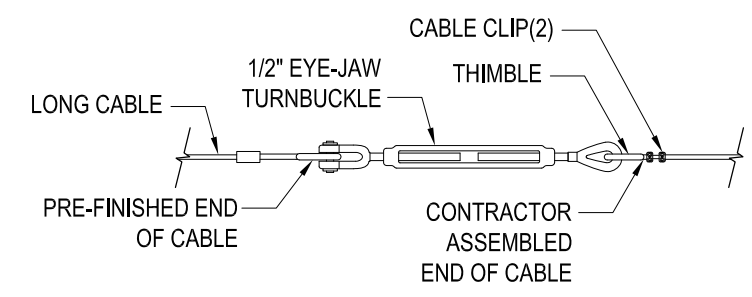
1 GROUND CABLES
Scale: NTS



2 GROUND CABLE - CORNER POLE
Scale: NTS

3 GROUND CABLE - CORNER POLE
Scale: NTS

NOTE
QUICK LINK LOCATION ON ADJUSTMENT CHAIN TO BE DETERMINED BY FINAL AS BUILT DIMENSIONS OF BATTING CAGE



4 GROUND CABLE - LONG CABLE CONNECTION
Scale: NTS