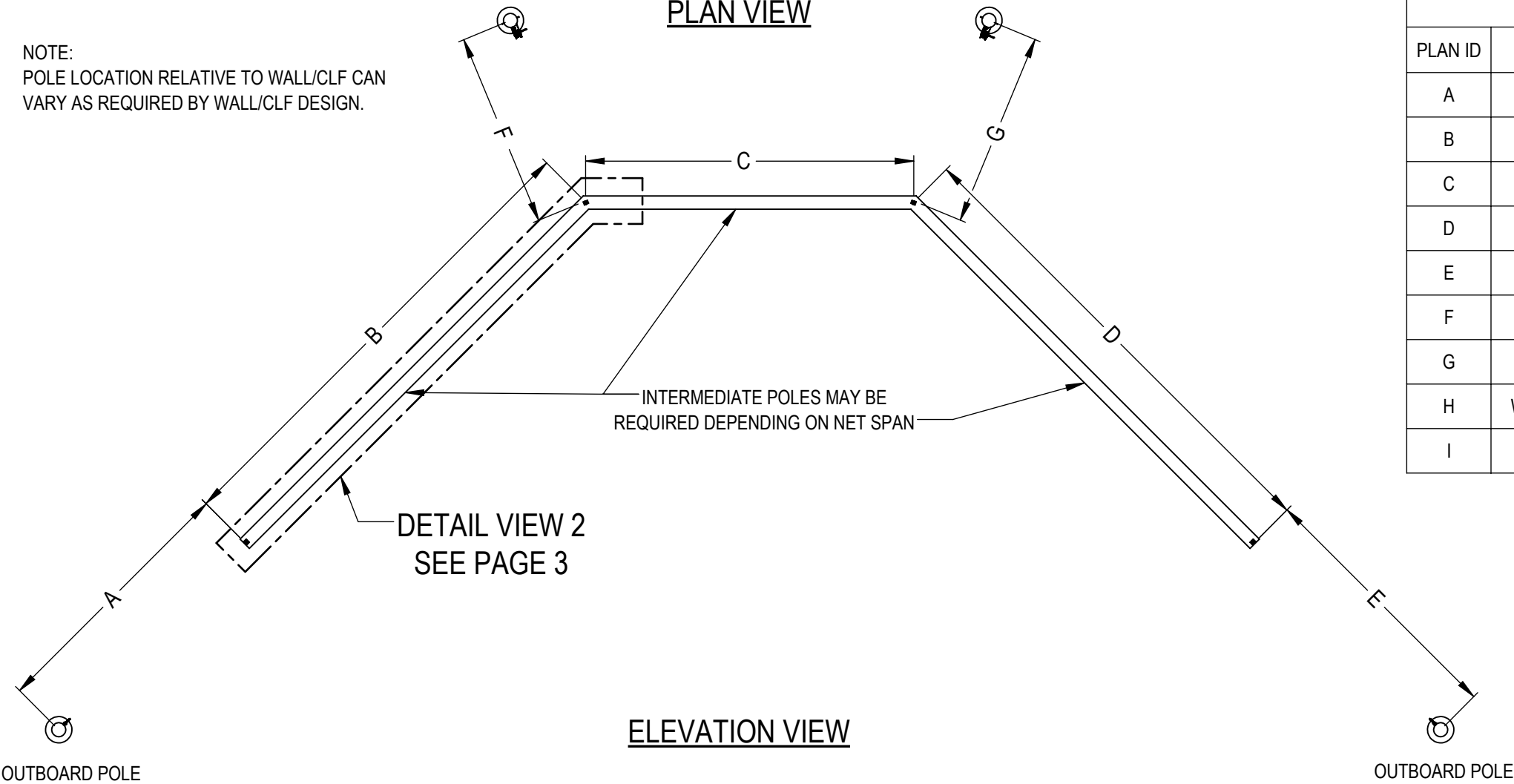


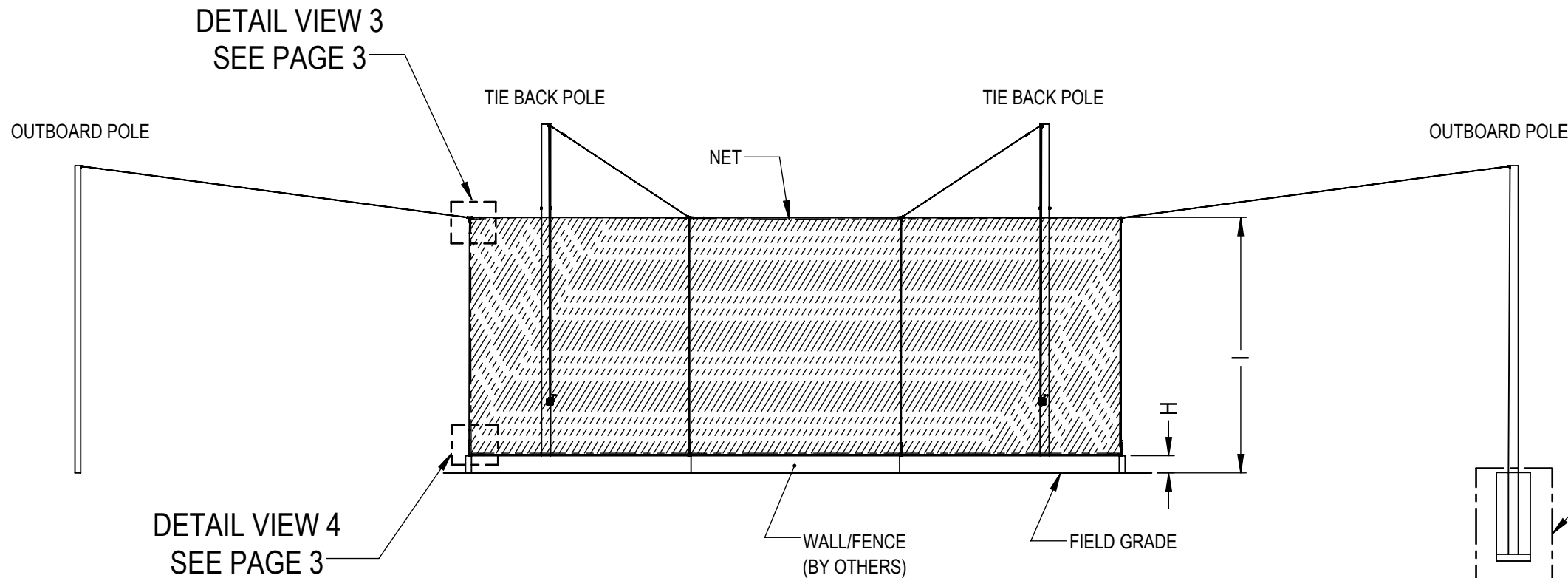
NOTE:
POLE LOCATION RELATIVE TO WALL/CLF CAN
VARY AS REQUIRED BY WALL/CLF DESIGN.

TIE BACK POLE TIE BACK POLE

PLAN VIEW



ELEVATION VIEW



BACKSTOP DIMENSIONAL CHART

MEASUREMENTS TAKEN FROM CENTER OF POLES

PLAN ID	DESCRIPTION	REQUIRED DIMENSION
A	OUTBOARD POLE TO END OF NET	
B	FIRST BASE WING WALL	
C	CENTER WALL	
D	THIRD BASE WING WALL	
E	END OF NET TO OUTBOARD POLE	
F	WALL CORNER TO TIE BACK POLE	
G	WALL CORNER TO TIE BACK POLE	
H	WALL OR FENCE HEIGHT FROM FIELD GRADE	
I	NET HEIGHT FROM FIELD GRADE	

NOTES:
BASED ON DIMENSIONS PROVIDED, POLE SPECIFICATIONS,
LENGTHS AND FOOTINGS WILL BE DETERMINED BY BACKSTOP
ENGINEERING.

MANUFACTURER TO PROVIDE STAMPED ENGINEERING
CALCULATIONS FOR POLE SPECIFICATIONS AND FOOTING
DETAIL BASED ON CLIENT PROVIDED SITE SOILS DATA,
PREVAILING CODE AND DESIGN WIND SPEED.

MAINTAIN A MINIMUM CLEAR DISTANCE OF 36" IN FRONT AND IN
BACK OF NET TO AVOID DAMAGE. REPEATED RUBBING AND
PINCHING OF THE NET AGAINST OBSTRUCTIONS INCLUDING BUT
NOT LIMITED TO WALLS, LIGHT POLES AND FENCING WILL CAUSE
TEARING AND NET FAILURE.

IF THE BOTTOM OF THE NET WILL BE NEAR THE TOP OF A CHAIN
LINK FENCE, CARE SHOULD BE TAKEN TO PROTECT THE NET
FROM THE TOP LOOPS OF THE CHAIN LINK FABRIC. BEACON
ATHLETICS RECOMMENDS INSTALLING FENCE CAP OR SLIT
DRAIN TILE ALONG THE TOP OF THE FENCE TO COVER THE
LOOPS.

BEACON ATHLETICS

PHONE: 1-800-747-5985
www.BeaconAthletics.com

DRAWING TITLE:
BACKSTOP, OUTBOARD TIE BACK PLAN & ELEVATION

CUSTOMER NAME:
PROJECT NAME:
PROJECT LOCATION:

REVISION #	BY	DATE
1	JD	02/16/2024

DRAWN BY: JD
DATE: 02/16/2024
MODEL NO:
BSTB-XP

DETAIL VIEW 1
SEE PAGE 2

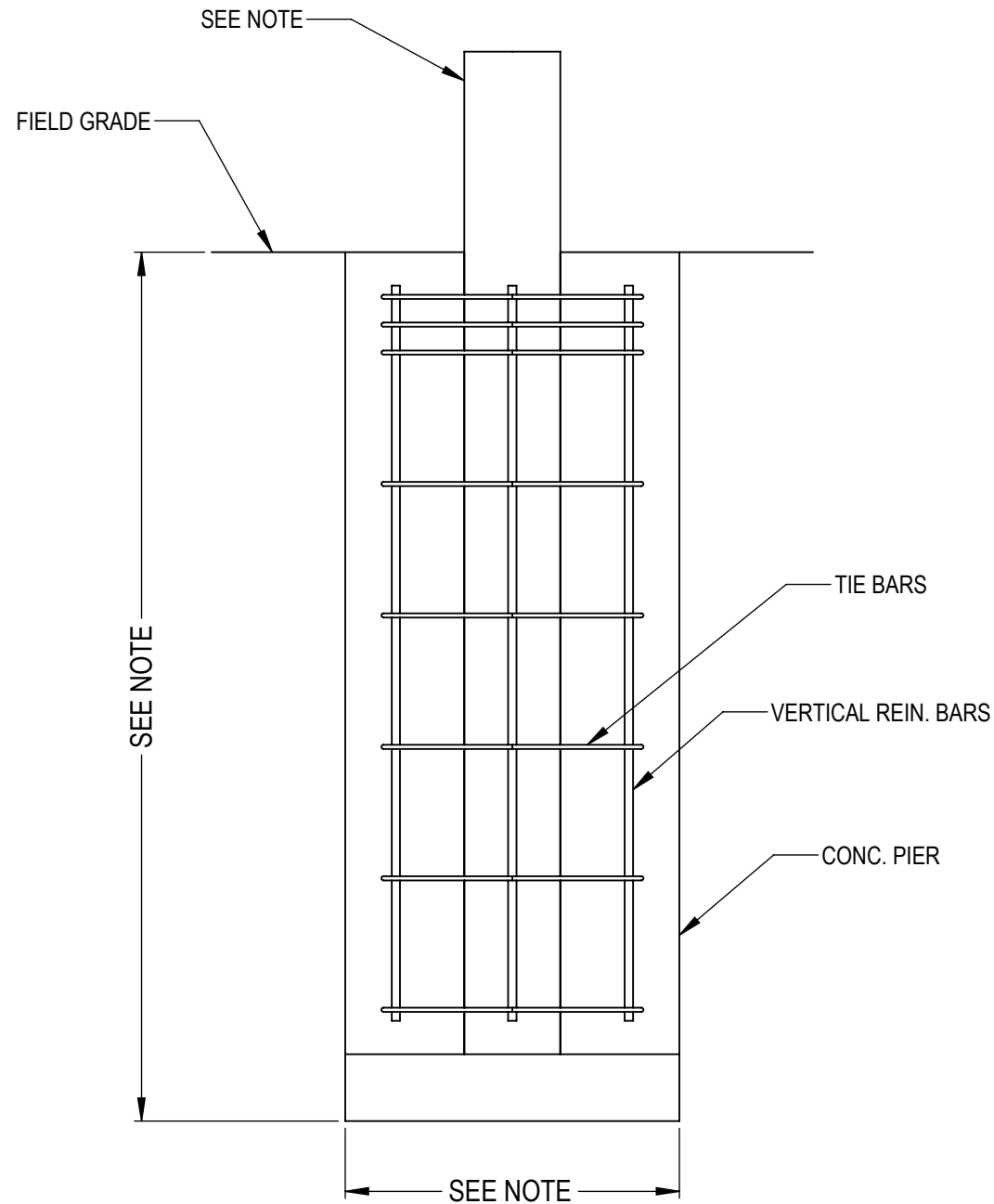
DETAIL VIEW 4
SEE PAGE 3

DETAIL VIEW 3
SEE PAGE 3

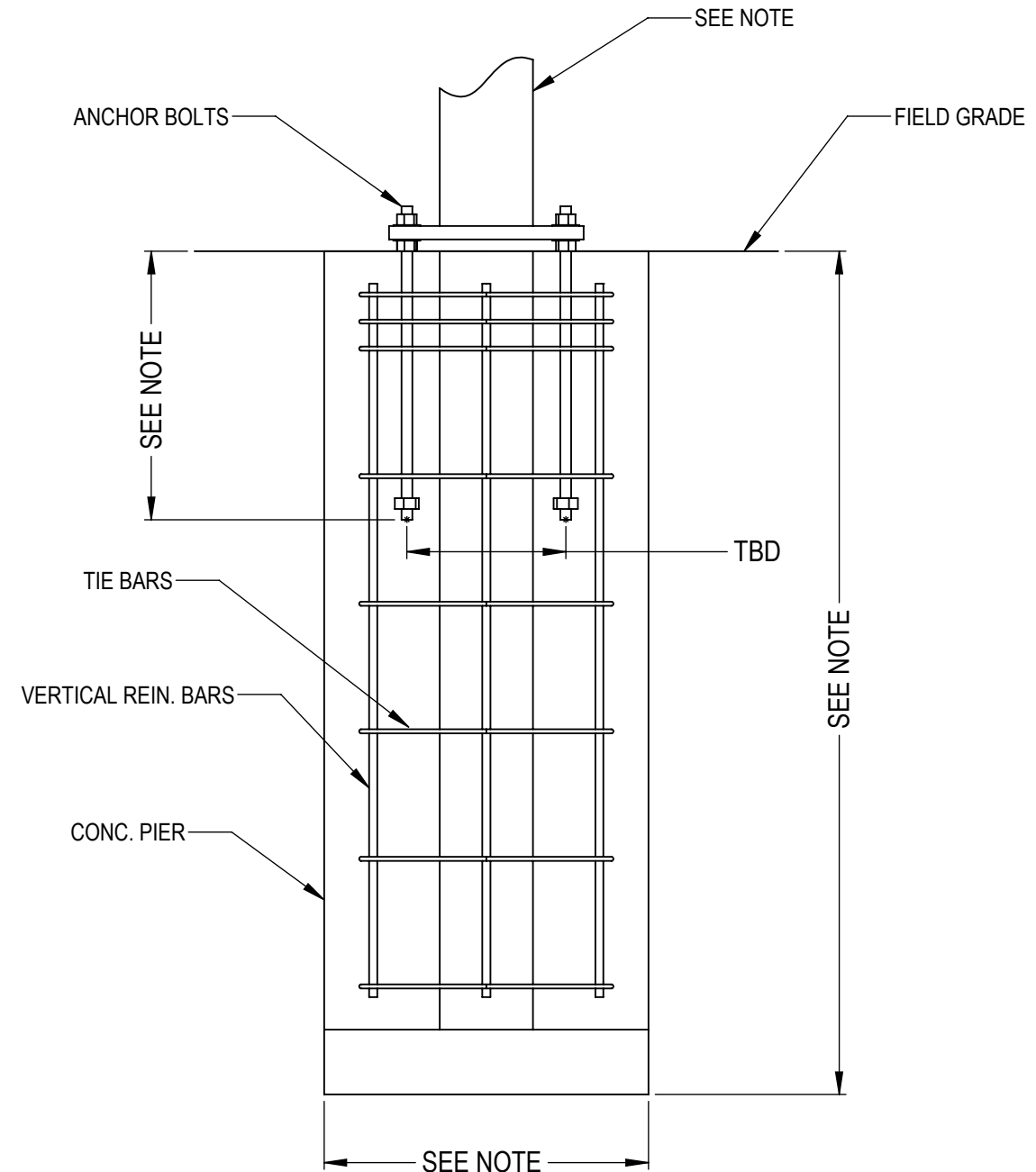
DETAIL VIEW 2
SEE PAGE 3

PLEASE SELECT PREFERRED FOOTING OPTION

NOTE:
MANUFACTURER TO PROVIDE SIGNED AND SEALED
STRUCTURAL ENGINEERING REPORT TO INCLUDE
POLE, CABLE, AND FOOTING DETAIL.



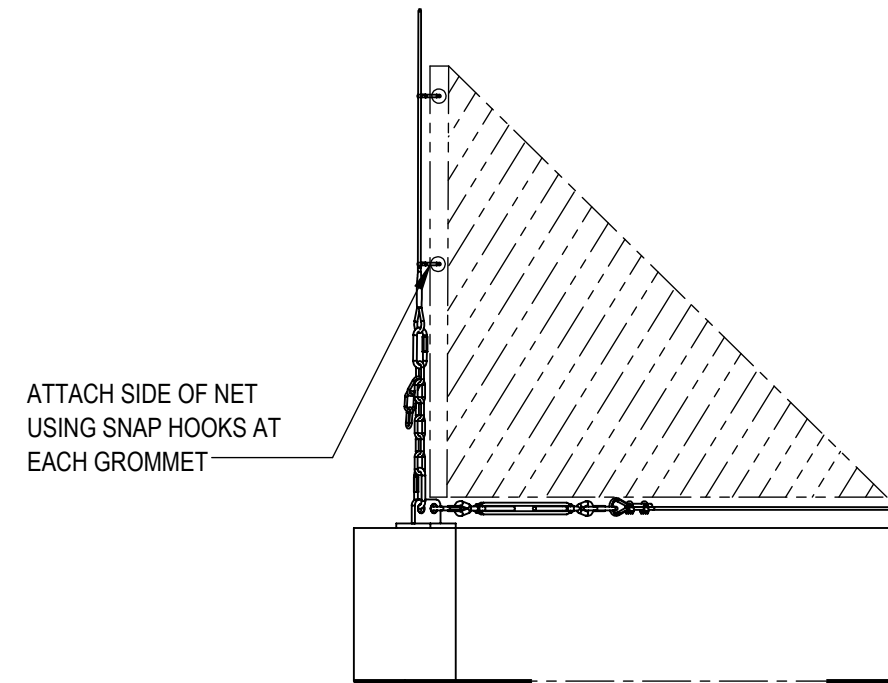
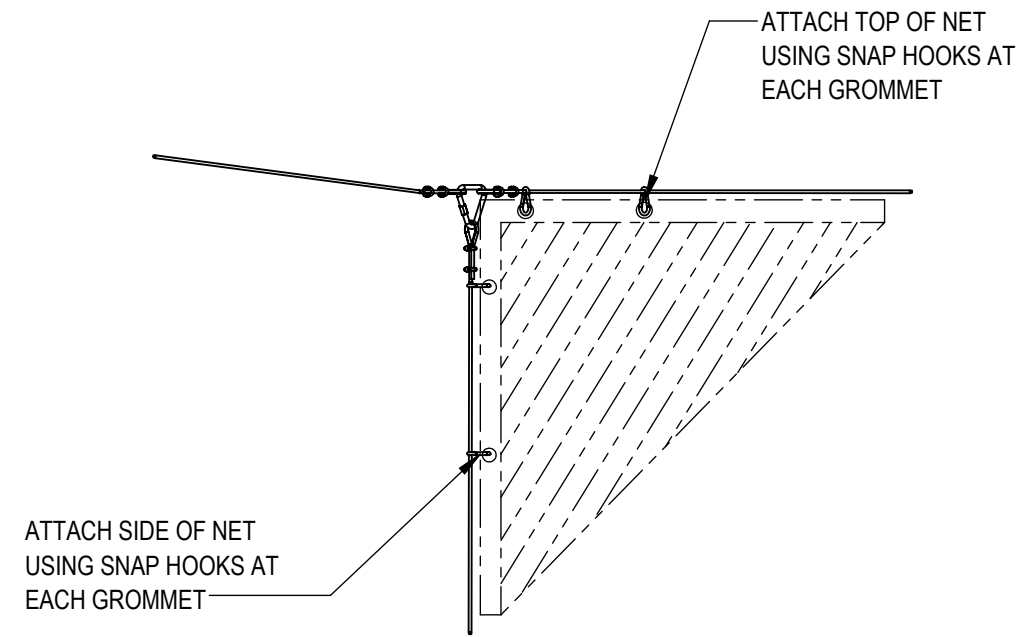
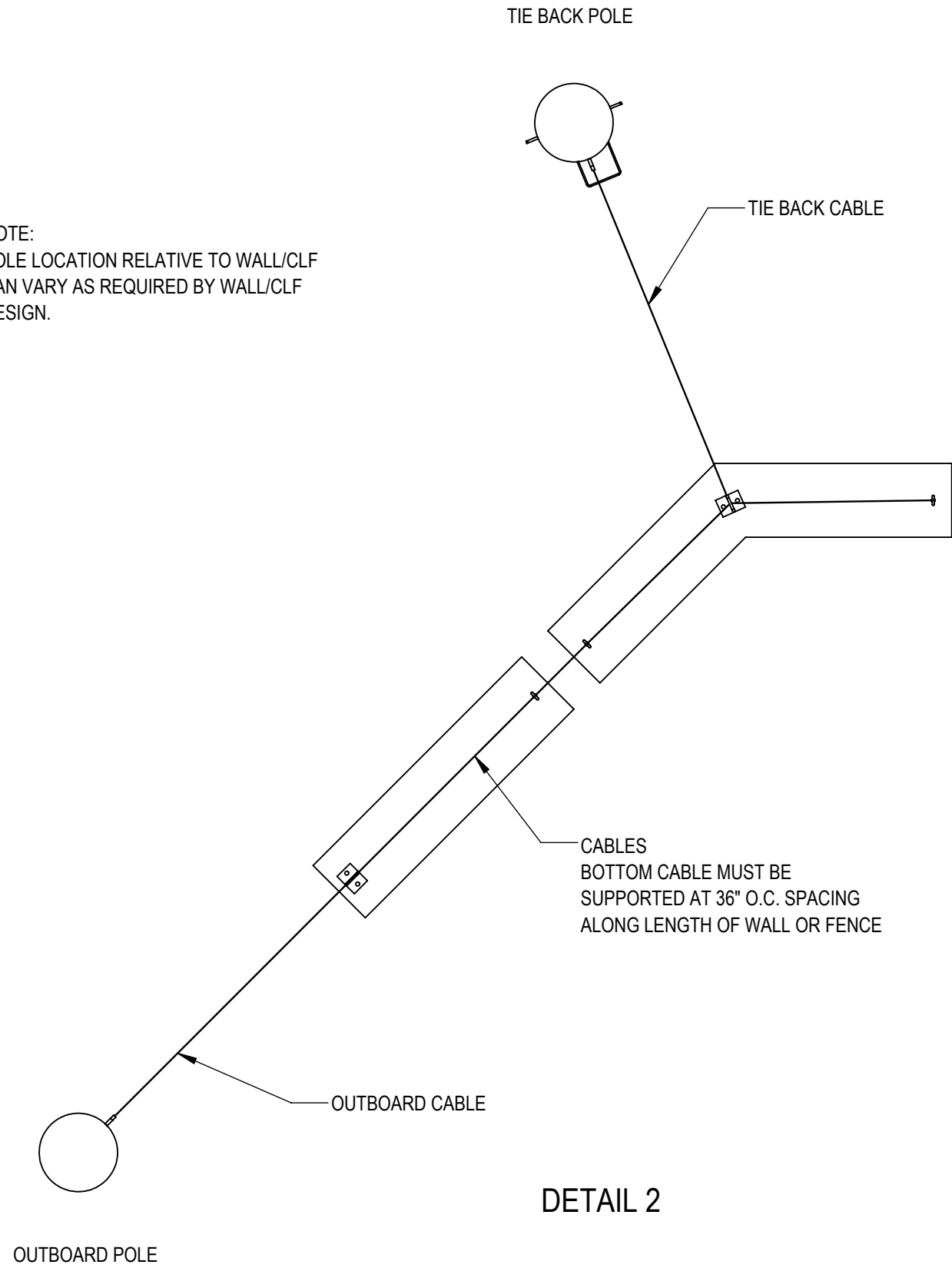
**DETAIL 1
DIRECT BURY OPTION**



**DETAIL 1
BASE PLATE OPTION**

REVISION #	BY	DATE
1	JD	02/16/2024

NOTE:
POLE LOCATION RELATIVE TO WALL/CLF
CAN VARY AS REQUIRED BY WALL/CLF
DESIGN.



REVISION #	BY	DATE
1	JD	02/16/2024

DRAWN BY: JD
DATE: 02/16/2024
MODEL NO:
BSTB-XP