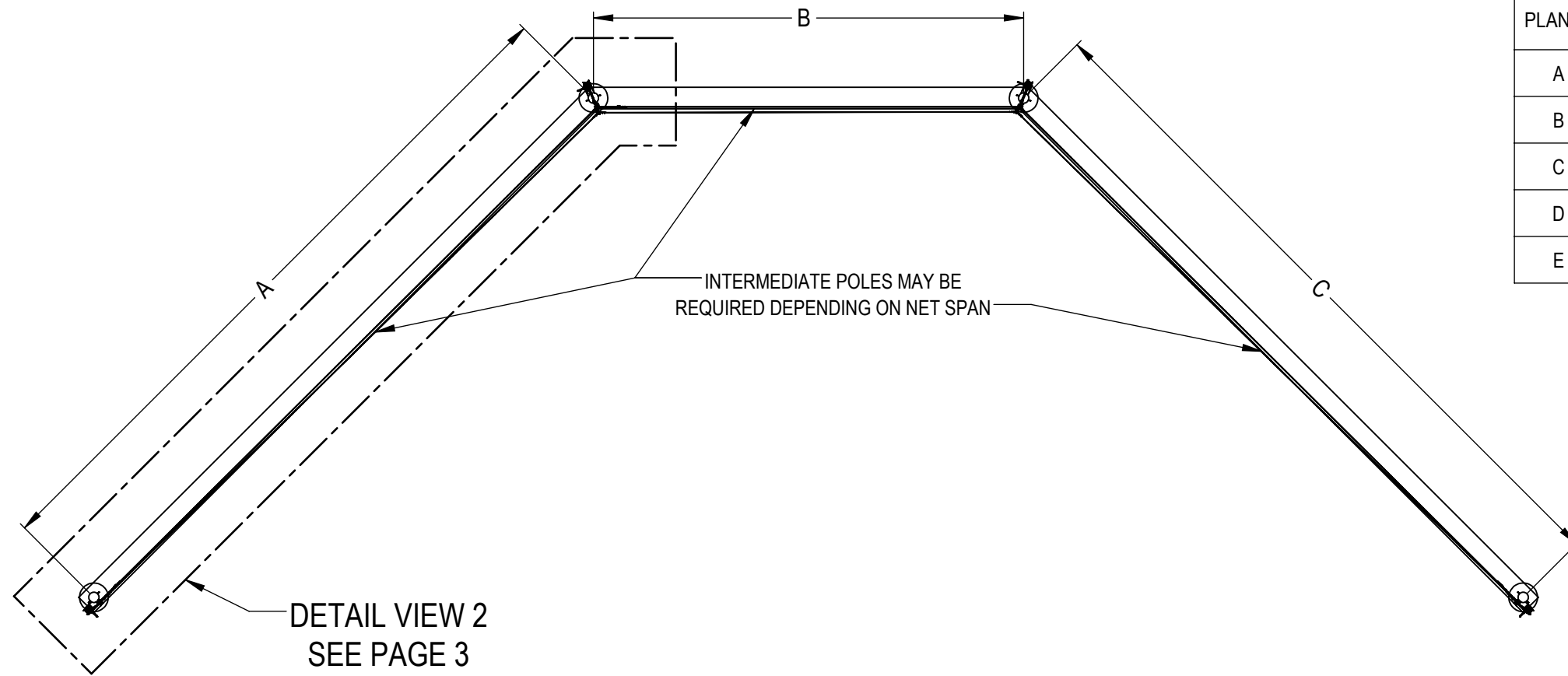


NOTE:  
POLE LOCATION RELATIVE TO WALL/CLF CAN  
VARY AS REQUIRED BY WALL/CLF DESIGN.

**PLAN VIEW**



**BACKSTOP DIMENSIONAL CHART**

| *MEASUREMENTS TAKEN FROM CENTER OF POLES* |                                       |                    |
|---|---------------------------------------|--------------------|
| PLAN ID                                   | DESCRIPTION                           | REQUIRED DIMENSION |
| A   | WING POLE TO CORNER POLE              |                    |
| B   | CORNER POLE TO CORNER POLE            |                    |
| C   | CORNER POLE TO WING POLE              |                    |
| D   | WALL OR FENCE HEIGHT FROM FIELD GRADE |                    |
| E   | NET HEIGHT FROM FIELD GRADE           |                    |

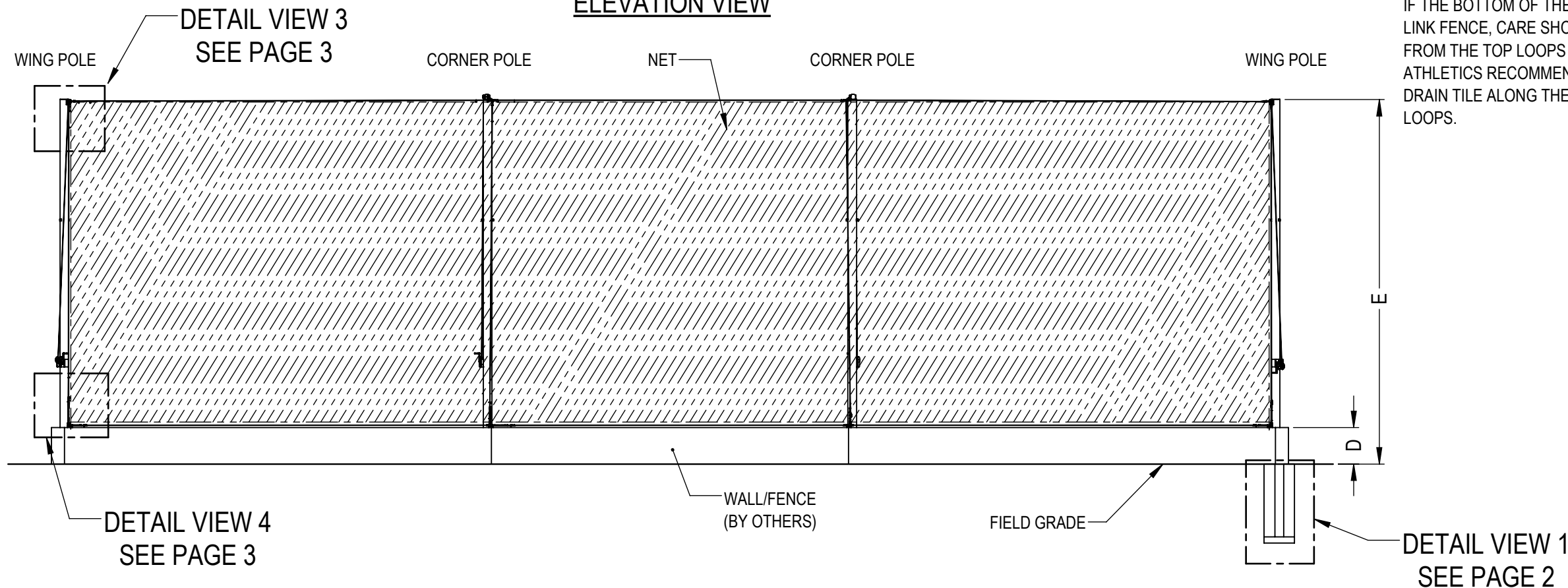
NOTES:  
BASED ON DIMENSIONS PROVIDED, POLE SPECIFICATIONS,  
LENGTHS AND FOOTINGS WILL BE DETERMINED BY BACKSTOP  
ENGINEERING.

MANUFACTURER TO PROVIDE STAMPED ENGINEERING  
CALCULATIONS FOR POLE SPECIFICATIONS AND FOOTING  
DETAIL BASED ON CLIENT PROVIDED SITE SOILS DATA,  
PREVAILING CODE AND DESIGN WIND SPEED.

MAINTAIN A MINIMUM CLEAR DISTANCE OF 36" IN FRONT AND IN  
BACK OF NET TO AVOID DAMAGE. REPEATED RUBBING AND  
PINCHING OF THE NET AGAINST OBSTRUCTIONS INCLUDING BUT  
NOT LIMITED TO WALLS, LIGHT POLES AND FENCING WILL CAUSE  
TEARING AND NET FAILURE.

IF THE BOTTOM OF THE NET WILL BE NEAR THE TOP OF A CHAIN  
LINK FENCE, CARE SHOULD BE TAKEN TO PROTECT THE NET  
FROM THE TOP LOOPS OF THE CHAIN LINK FABRIC. BEACON  
ATHLETICS RECOMMENDS INSTALLING FENCE CAP OR SLIT  
DRAIN TILE ALONG THE TOP OF THE FENCE TO COVER THE  
LOOPS.

**ELEVATION VIEW**

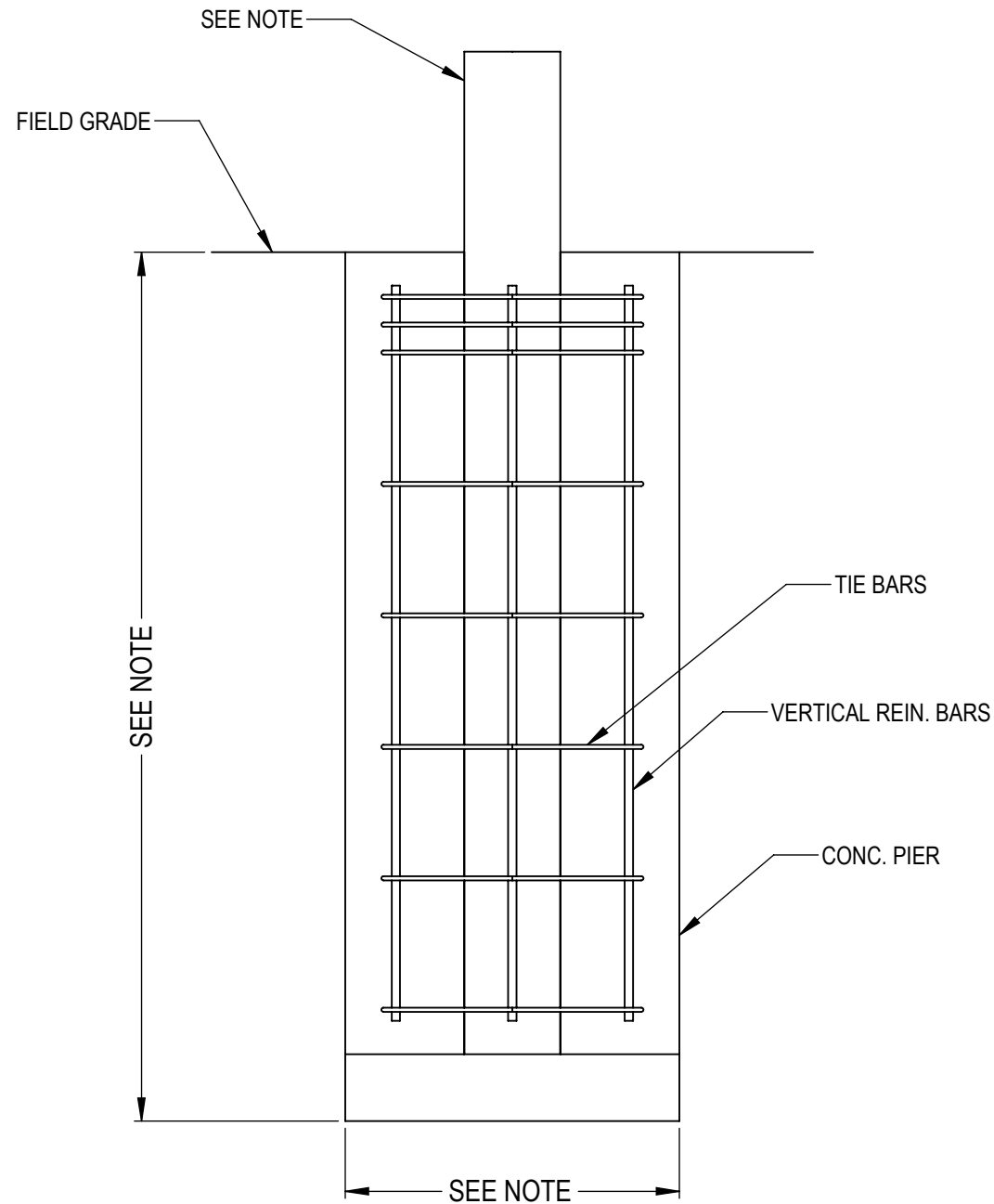


| REVISION # | BY | DATE       |
|------------|----|------------|
| 1          | JD | 02/14/2024 |

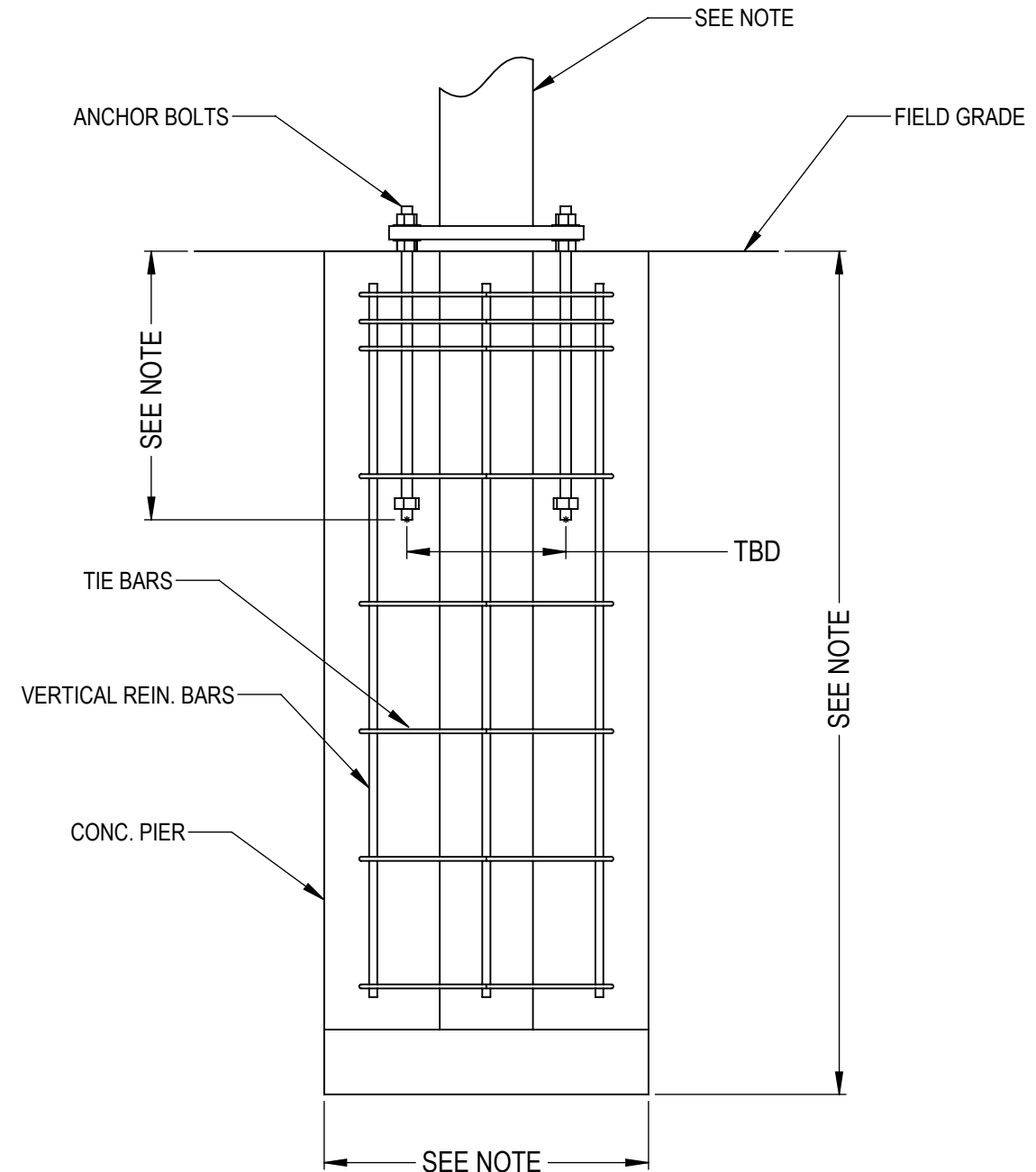
DRAWN BY: JD  
DATE: 02/14/2024  
MODEL NO:  
**BSP-L**

**PLEASE SELECT PREFERRED FOOTING OPTION**

NOTE:  
MANUFACTURER TO PROVIDE SIGNED AND SEALED  
STRUCTURAL ENGINEERING REPORT TO INCLUDE  
POLE, CABLE, AND FOOTING DETAIL.



**DETAIL 1  
DIRECT BURY OPTION**



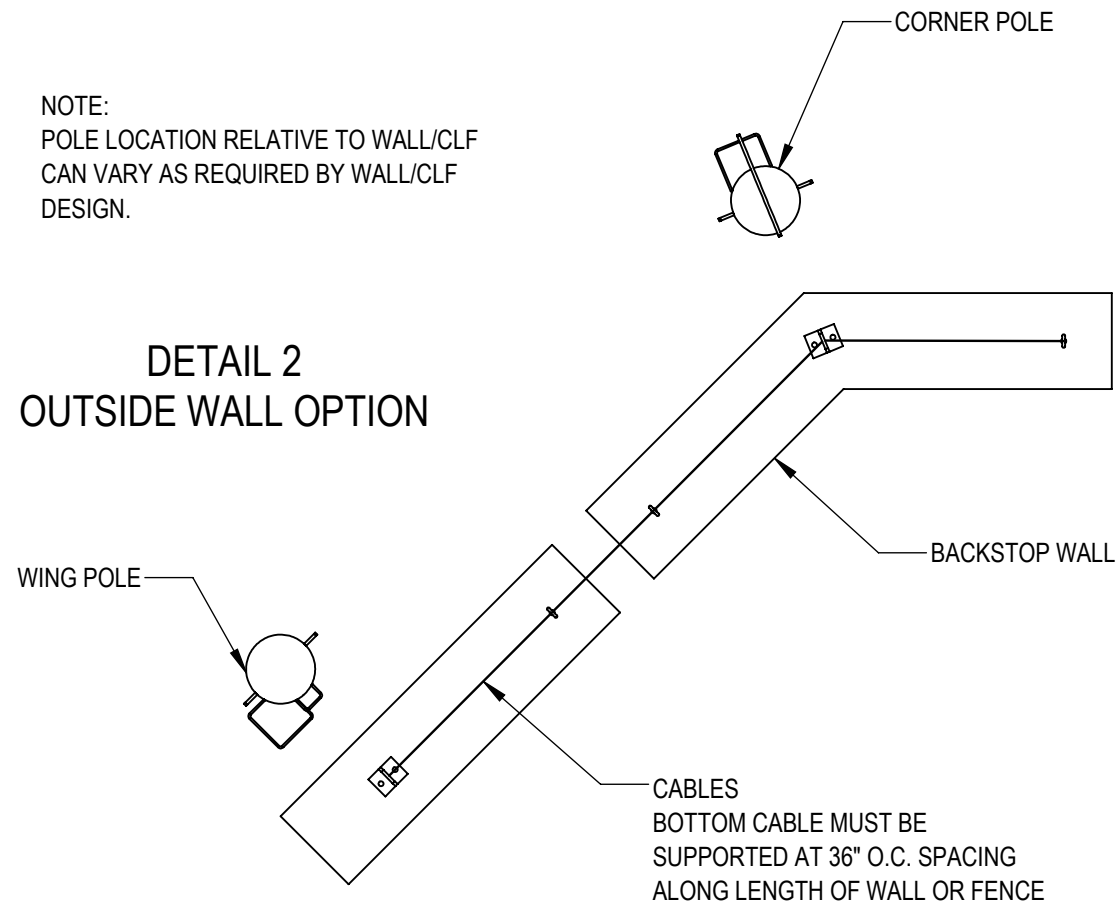
**DETAIL 1  
BASE PLATE OPTION**

| REVISION # | BY | DATE       |
|------------|----|------------|
| 1          | JD | 02/08/2024 |
|            |    |            |
|            |    |            |

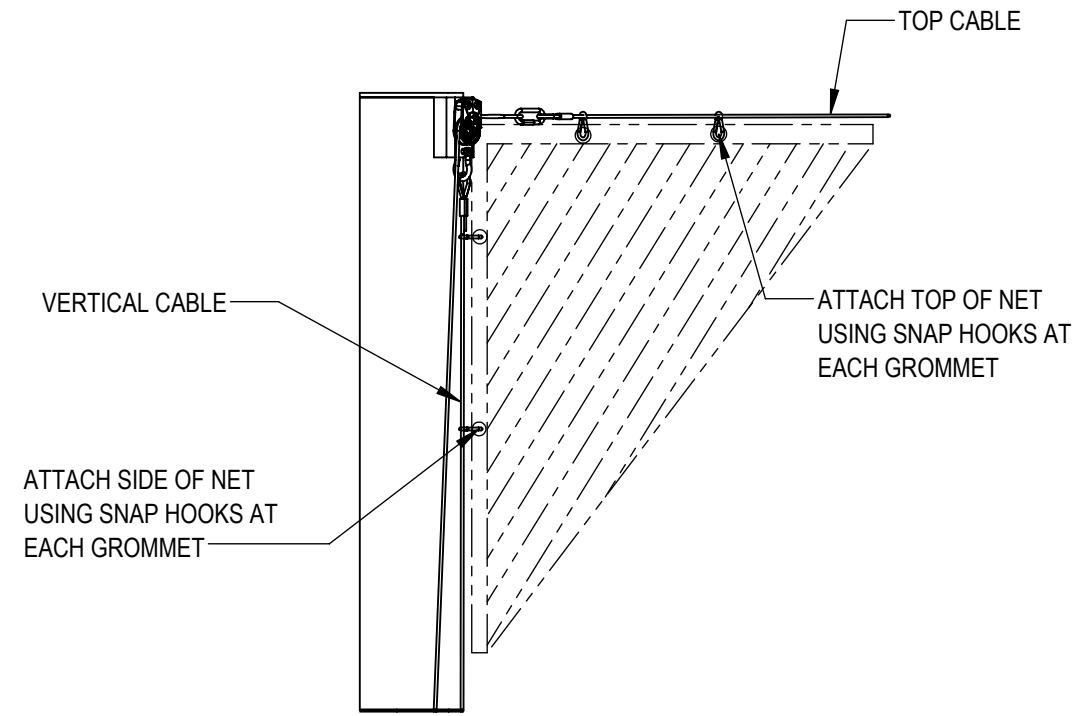
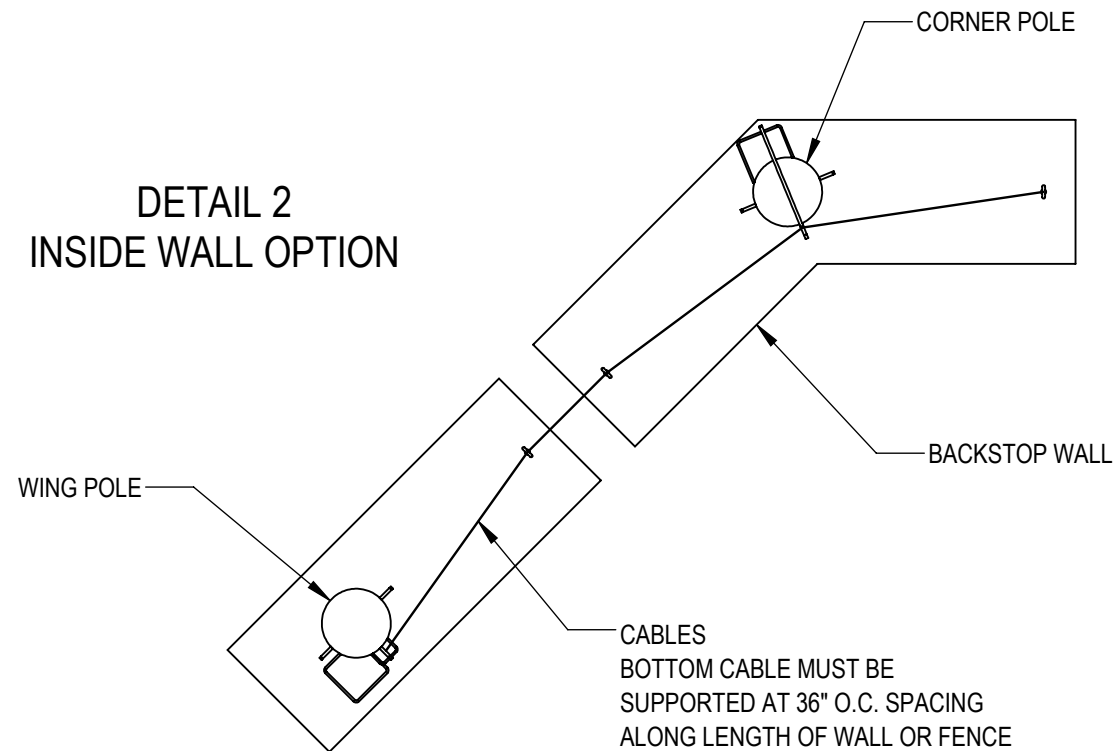
DRAWN BY: JD  
DATE: 02/14/2024  
MODEL NO:  
**BSP-L**

NOTE:  
POLE LOCATION RELATIVE TO WALL/CLF  
CAN VARY AS REQUIRED BY WALL/CLF  
DESIGN.

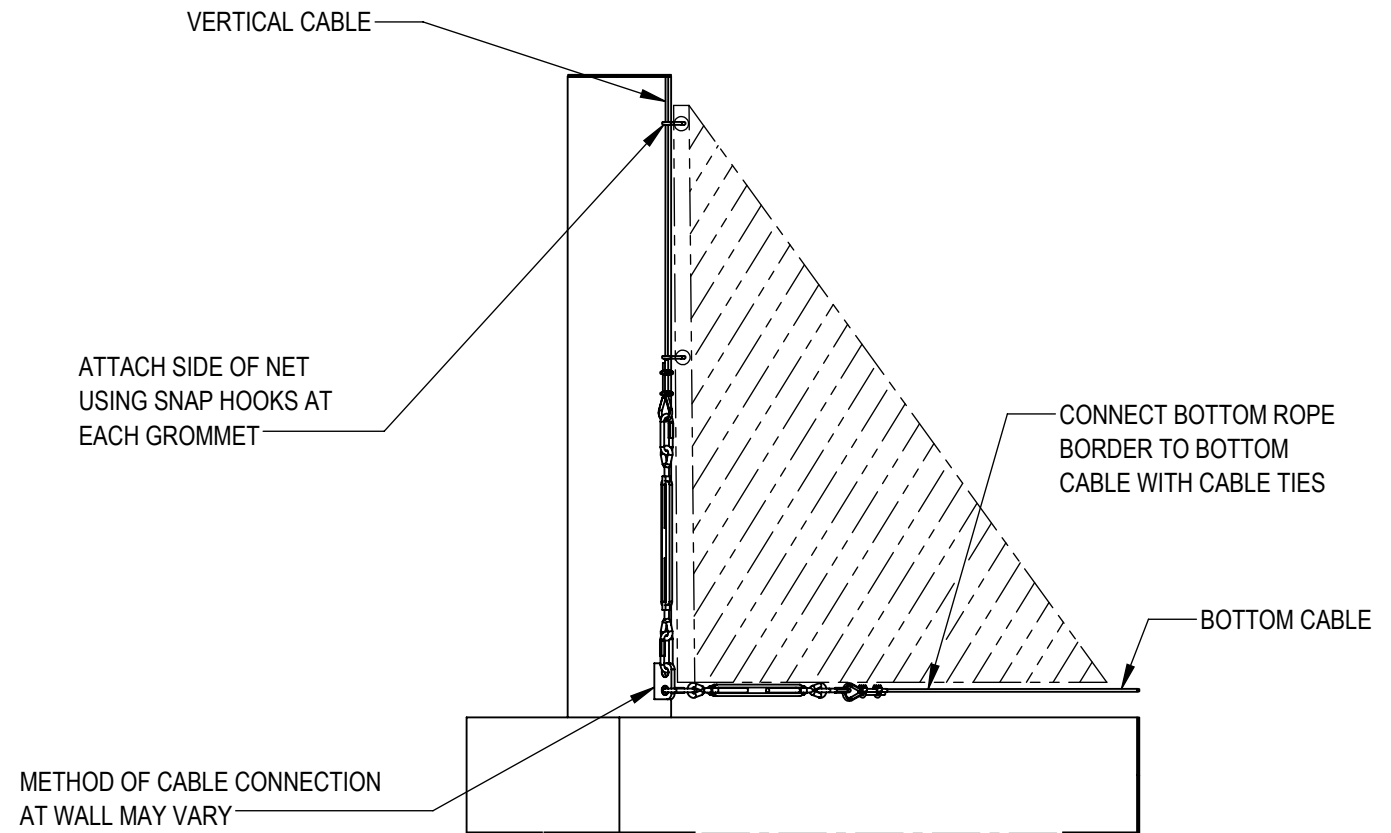
**DETAIL 2  
OUTSIDE WALL OPTION**



**DETAIL 2  
INSIDE WALL OPTION**



**DETAIL 3**



**DETAIL 4**

| REVISION # | BY | DATE       |
|------------|----|------------|
| 1          | JD | 02/08/2024 |

DRAWN BY: JD  
DATE: 02/14/2024  
MODEL NO:  
**BSP-L**