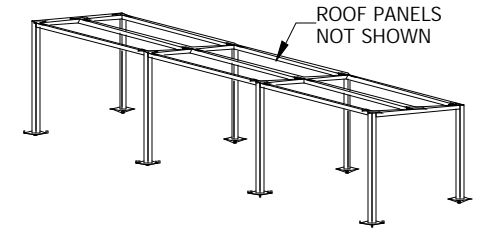
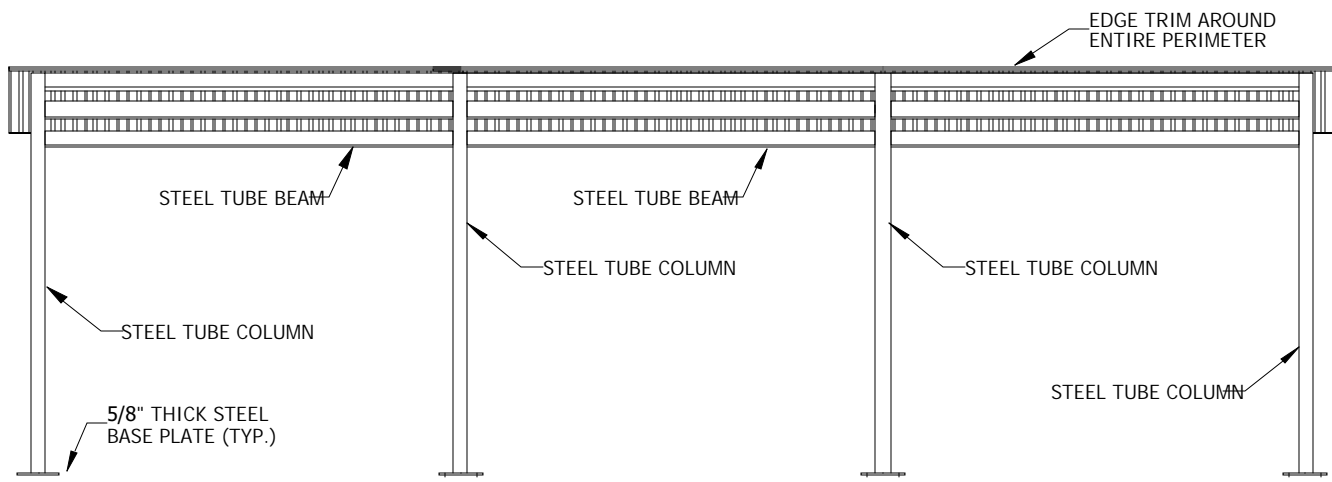


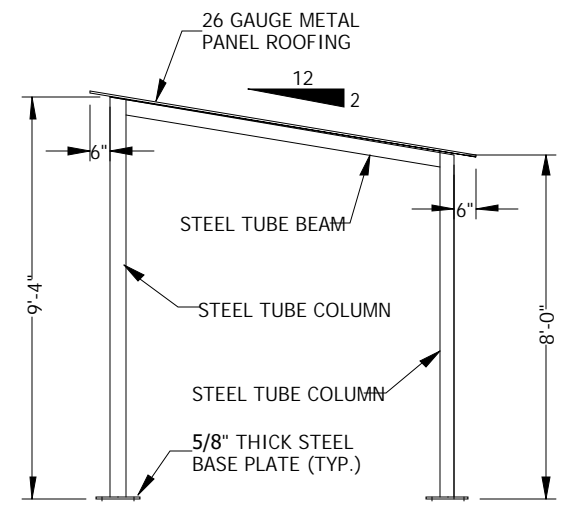
PLAN VIEW



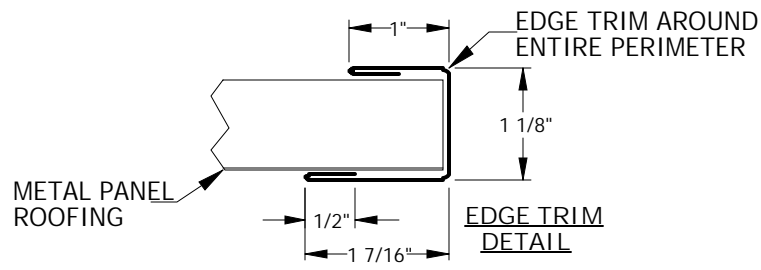
ISOMETRIC VIEW



FRONT ELEVATION



SIDE ELEVATION



A cXY` , ST8' 0

