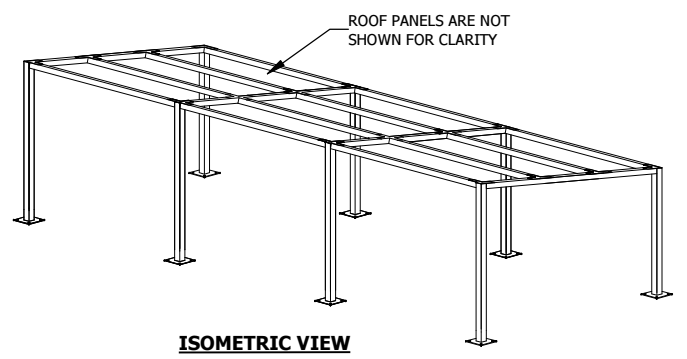
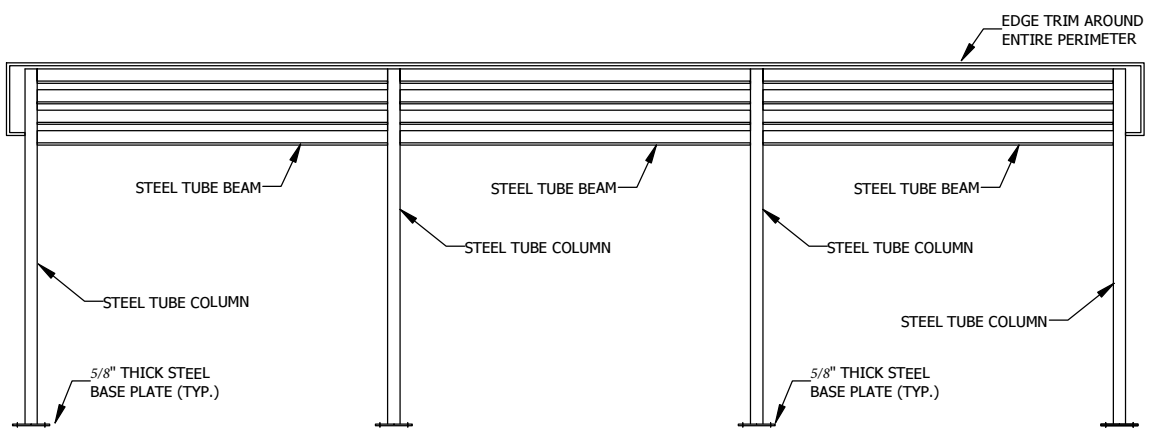


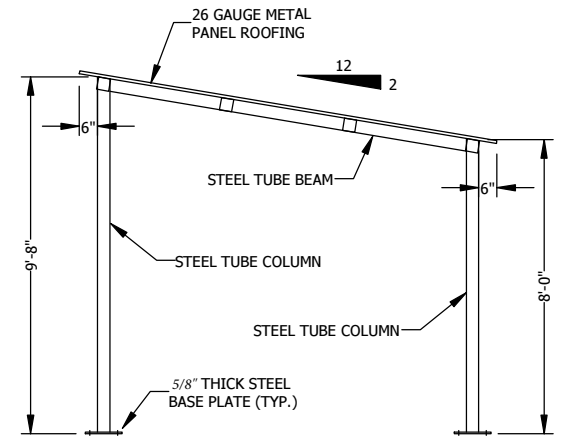
PLAN VIEW



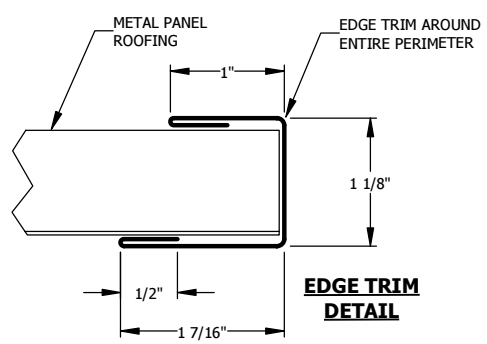
ISOMETRIC VIEW



FRONT ELEVATION



SIDE ELEVATION



EDGE TRIM DETAIL

Model #ST1030

