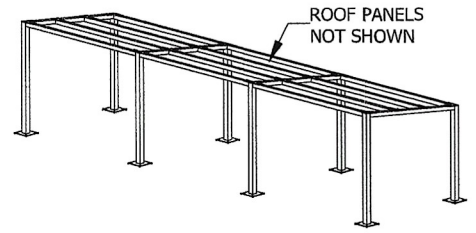
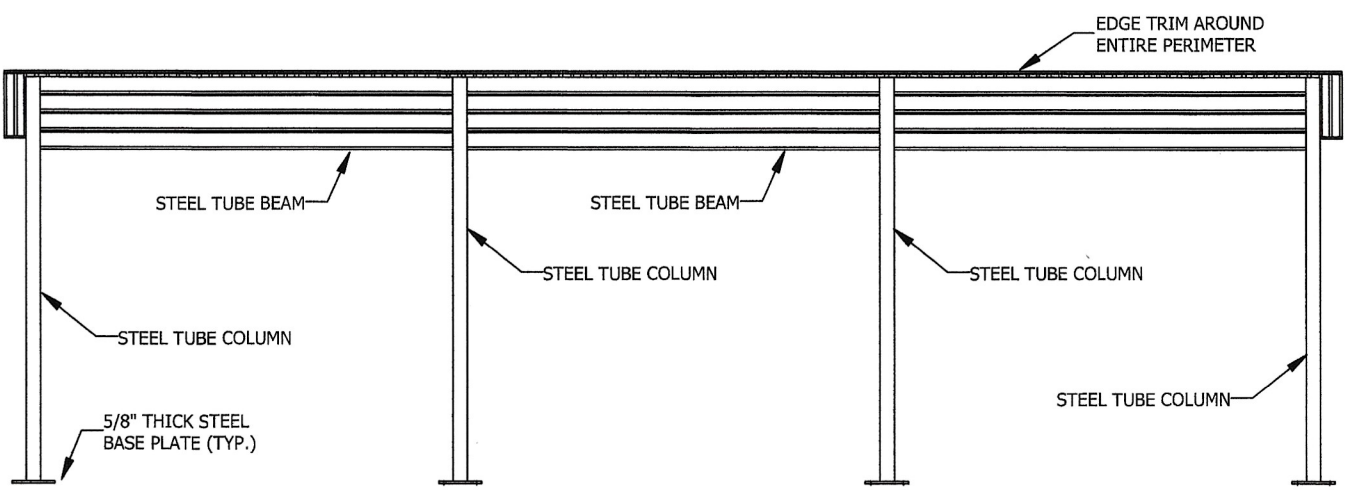


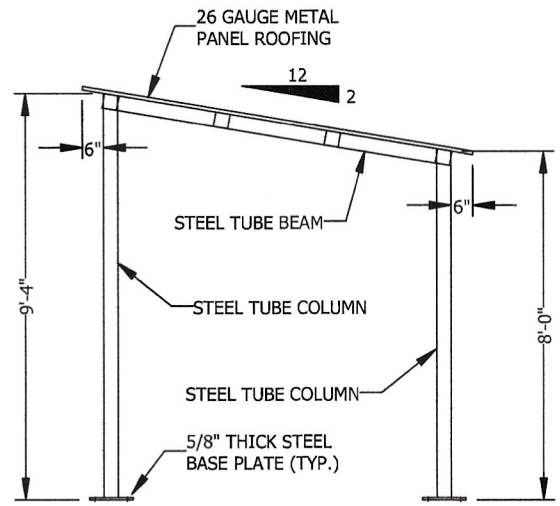
**PLAN VIEW**



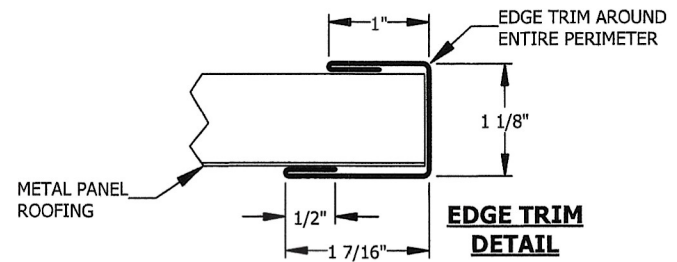
**ISOMETRIC VIEW**



**FRONT ELEVATION**



**SIDE ELEVATION**



**Model #ST830N**

