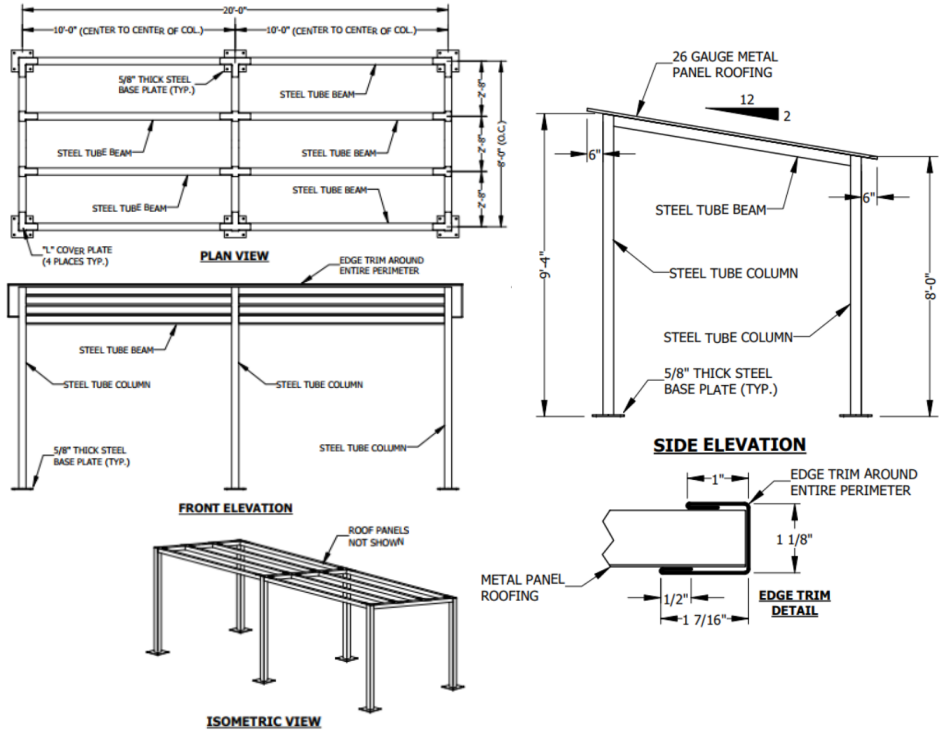


<p>Dugouts</p> <p>Premium Team Dugouts 8' x 20' - Northern Style</p>	<p>Part Numbers</p> <p>Beacon #120-875-860 Model #ST820N</p>
---	---



Features

- These premium dugouts arrive ready to assemble. Prefabricated and pre-engineered with all fasteners concealed within tubing to avoid corrosion and provide better safety.
- Northern U.S. dugouts designed to handle snow loads.
- Optional stamped engineering report for an additional charge
- Please Note: Optional chain-link fencing not included with dugouts - must be provided by others.

Specifications

- 8'D x 20'L x 8'H
- All-steel construction (A500 square structural steel tubing)
- 26-gauge galvanized metal roof panel & steel support columns are powder coated
- Available Colors*:
 - Powder Coated Steel Frame: Almond, Black, Red, Green, Burgundy, Blue, Yellow, Brown or Forest Green
 - Metal Roof: Light Stone, Mocha Tan, Old Town Gray, Pure White, Forest Green, Hawaiian Blue, Barn Red, or Galvalume

* Colors must be decided before manufacturing timeline will begin

Also Available in

- Depths: 5' to 10'
- Lengths: 30', 40', or Custom
- Roof Pitch: 1-12, 2-12, 3-12