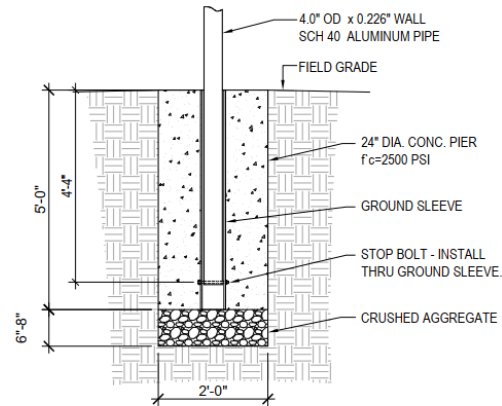
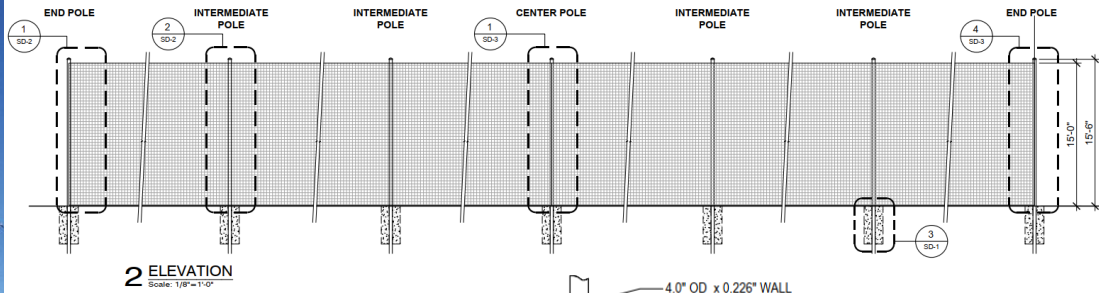
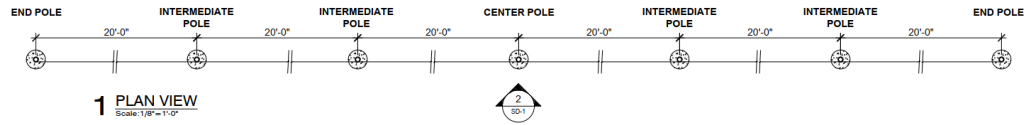


<b>Barrier Net Systems</b>	<b>Part Numbers</b>
Barrier Net System Lacrosse - 15'H x 120'L	Beacon #140-100-245 Model #BNL-15120



## Features

- Make sure every ball stays where it belongs.
- Superior quality hoisting blocks and halyards easily lift and lower net.
- Innovative tensioning system reduces net sag when fully erected.
- Can be hoisted & tensioned from the ground, no ladders needed.
- Optional stamped engineering report.

## Specifications

- (7) 4"OD Sch40 unpainted aluminum posts
- (7) Ground sleeves (ground sleeve caps sold separately part #140-100-750)
- 1-1/2" Mesh premium UV-treated nylon netting
- All hardware to raise, lower, and tension the netting from the ground

## Also Available In

- Poles: Black powder coated
- Lengths: 60', 90', 180' or custom
- Height: Custom\*
- Net Mesh: Soccer (4" at 20'H), Combo (Lacrosse bottom 12', Soccer top 8'), or custom

\* Contact our National Sales Group to discuss your project and receive a quote