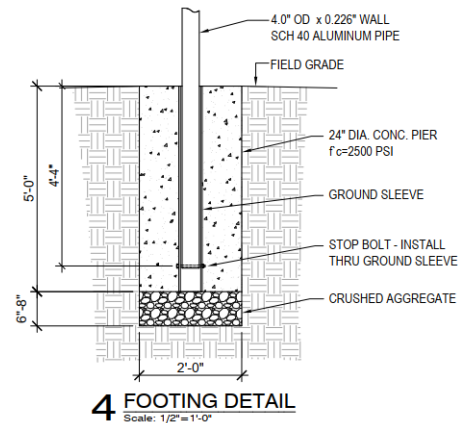
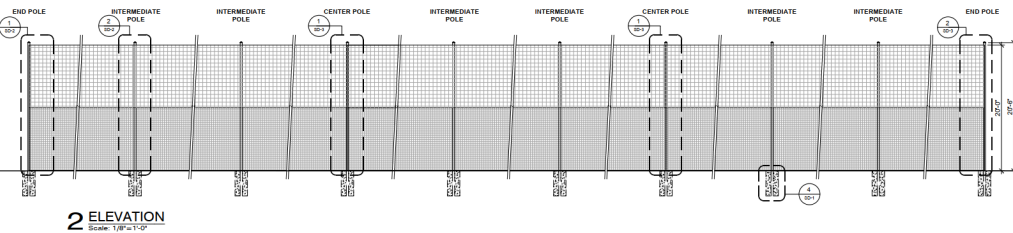
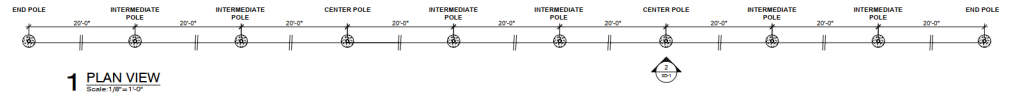


Barrier Net Systems	Part Numbers
Barrier Net System Combo - 20'H x 180'L	Beacon #140-100-655 Model #BNC-20180



Features

- Make sure every ball stays where it belongs.
- Superior quality hoisting blocks and halyards easily lift and lower net.
- Innovative tensioning system reduces net sag when fully erected.
- Can be hoisted & tensioned from the ground, no ladders needed.
- Optional stamped engineering report.

Specifications

- (10) 4"OD Sch40 unpainted aluminum posts
- (10) Ground sleeves (ground sleeve caps sold separately part #140-100-750)
- Upper 8' - 4" Mesh, Lower 12' - 1-1/2" Mesh premium UV-treated nylon netting
- All hardware to raise, lower, and tension the netting from the ground

Also Available In

- Poles: Black powder coated
- Lengths: 60', 90', 120' or custom
- Height: Custom*
- Net Mesh: Soccer (4" at 20'H), Lacrosse (1-1/2" at 15'H), or custom

* Contact our National Sales Group to discuss your project and receive a quote