



8' x 8' Infield Screen Assembly (shown with optional pad kit)

STEP 1:

Assemble frame and base using hardware provided.

STEP 2:

For maximum frame stability, face the large 1" hole opening on the **frame components** towards the interior of frame. The nut and washer are attached through the large hole opening (Figure A).

STEP 3:

Slip pillowcase net over frame and secure bottom sewn rope borders to **frame** using zip ties **provided**.

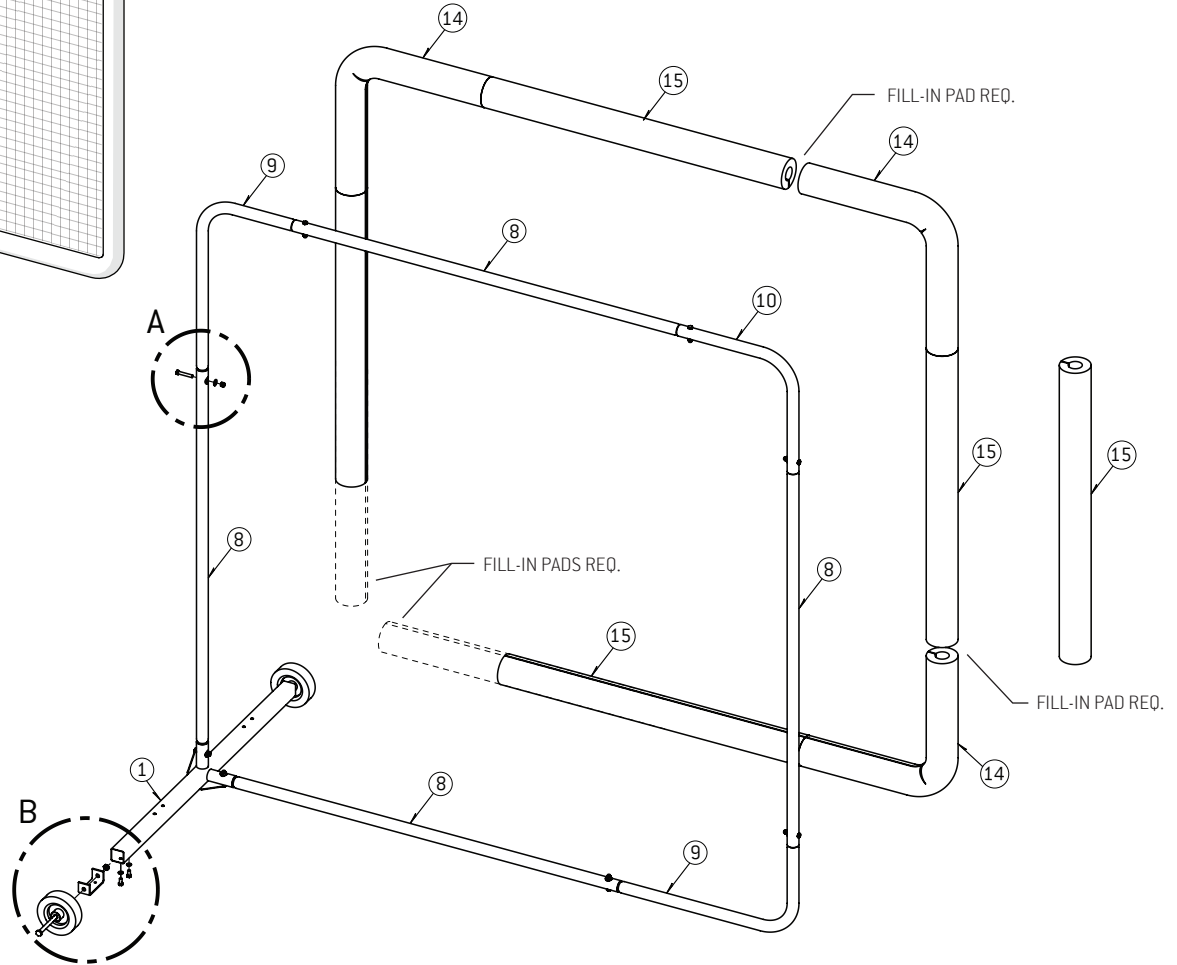
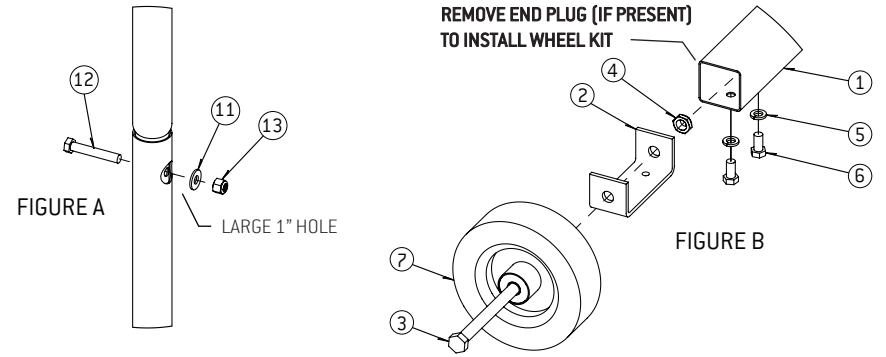
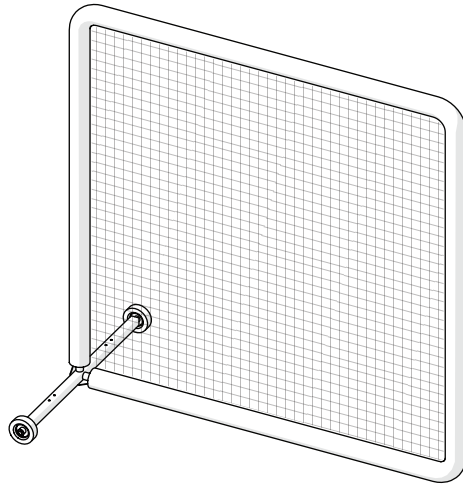
Skip steps 4 and 5 if optional pad kit not purchased.

STEP 4:

Assemble pre-cut foam pads as shown (if purchased). Use the extra Pad B (48" L) to cut fill-in sections for any remaining gaps.

STEP 5:

Starting at one end, attach vinyl banner to foam padding using zip ties. Seam to be located on interior of frame.



ITEM NO.	DESCRIPTION	QTY.
1	SCREEN BASE (BB2049)	1
2	WHEEL KIT AXLE BRACKET	2
3	1/2"-13 X 7/16" HEX BOLT (PARTIAL THREAD)	2
4	1/2"-13 JAM LOCK NUT	2
5	3/8" X .68" OD SPLIT LOCK WASHER	4
6	3/8"-16 X 3/4" HEX BOLT	4
7	6" X 2" FLAT FREE TIRE	2
8	LONG FRAME TUBE (BB2068)	4
9	FRAME CORNER (BB2069)	2
10	FRAME CORNER (BB2067)	1
11	5/16" X .875" OD WASHER	8
12	3/8"-16 X 2 1/4" HEX BOLT (PARTIAL THREAD)	8
13	3/8"-16 LOCK NUT	8
14	PAD A (43" L W/ (1) CENTER CUT)	3
15	PAD B (48" L)	5
--	8' X 8' INFIELD SCREEN NET	1
--	VINYL GROMMETED PAD COVER	1
--	8" ZIP TIE PACK OF 100 (NOT SHOWN)	1



BEACON ATHLETICS

THE ULTIMATE BALLFIELD RESOURCE™

800-747-5985

BeaconAthletics.com