



7' x 7' Softball Screen Assembly

Shown with optional wheel kit (sold separately)

STEP 1:

Assemble frame and base using hardware provided. Wheel kit sold separately.

STEP 2:

For maximum frame stability, face the large 1" hole opening on the frame components towards the interior of frame. The nut and washer are attached through the large hole opening (Figure A).

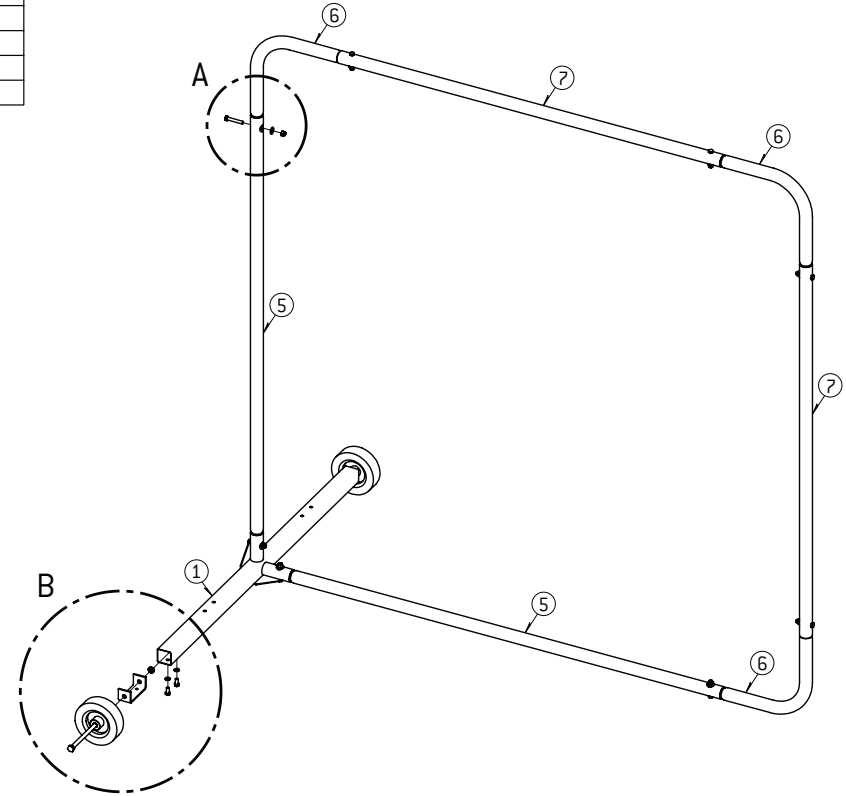
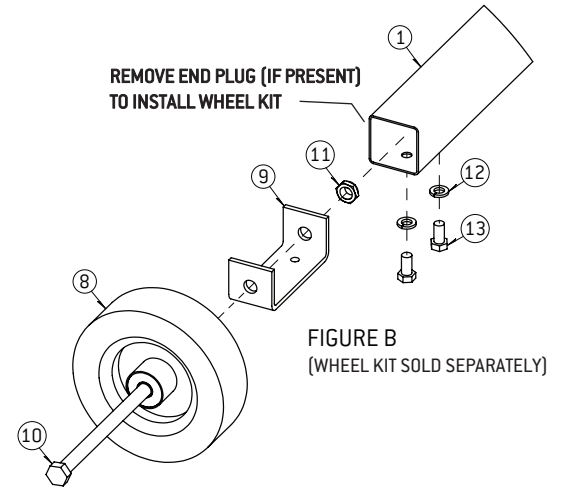
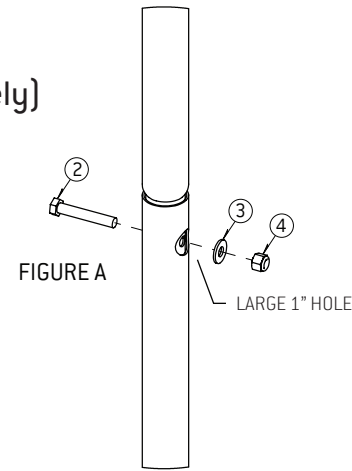
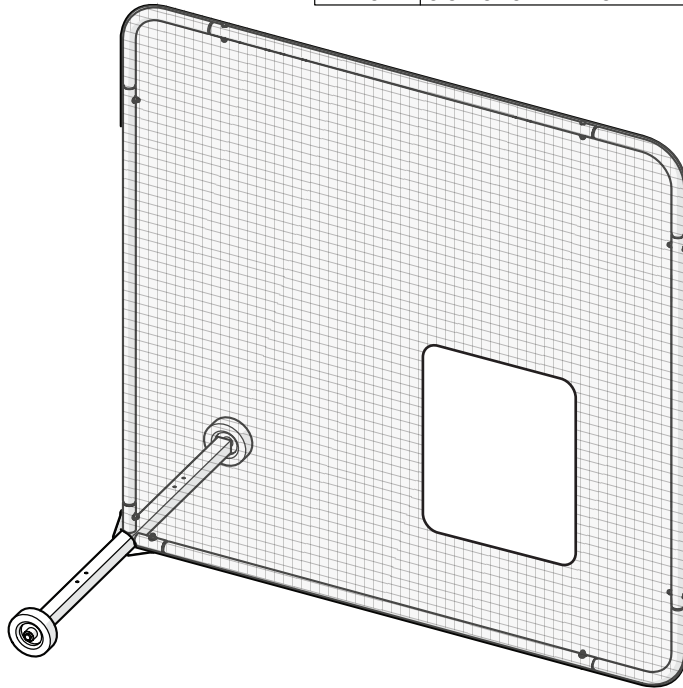
STEP 3:

Slip pillowcase net over frame and secure bottom sewn rope borders to frame using zip ties provided.

ITEM NO.	DESCRIPTION	QTY.
1	SCREEN BASE (BB2049)	1
2	3/8"-16 X 2 1/4" HEX BOLT (PARTIAL THREAD)	8
3	5/16" X .875" OD WASHER	8
4	3/8"-16 LOCK NUT	8
5	LONG FRAME TUBE (BB2051)	2
6	FRAME CORNER (BB2053)	3
7	SHORT FRAME TUBE (BB2054)	2
--	7' X 7' SOFTBALL SCREEN NET	1
--	8" ZIP TIE PACK OF 100 (NOT SHOWN)	1

(WHEEL KIT SOLD SEPARATELY)

8	6" X 2" FLAT FREE TIRE	2
9	WHEEL KIT AXLE BRACKET	2
10	1/2"-13 X 7 1/2" HEX BOLT (PARTIAL THREAD)	2
11	1/2"-13 JAM LOCK NUT	2
12	3/8" X .68" OD SPLIT LOCK WASHER	4
13	3/8"-16 X 3/4" HEX BOLT	4



BEACON ATHLETICS

THE ULTIMATE BALLFIELD RESOURCE™

800-747-5985

BeaconAthletics.com