



# 7' x 7' Softball Screen Assembly

Shown with optional wheel kit (sold separately)

### STEP 1:

Assemble frame and base using hardware provided.  
Wheel kit sold separately.

### STEP 2:

For maximum frame stability, face the large 1" opening on the **frame components** towards the interior of frame. The nut and washer are attached through the large hole opening (Figure A).

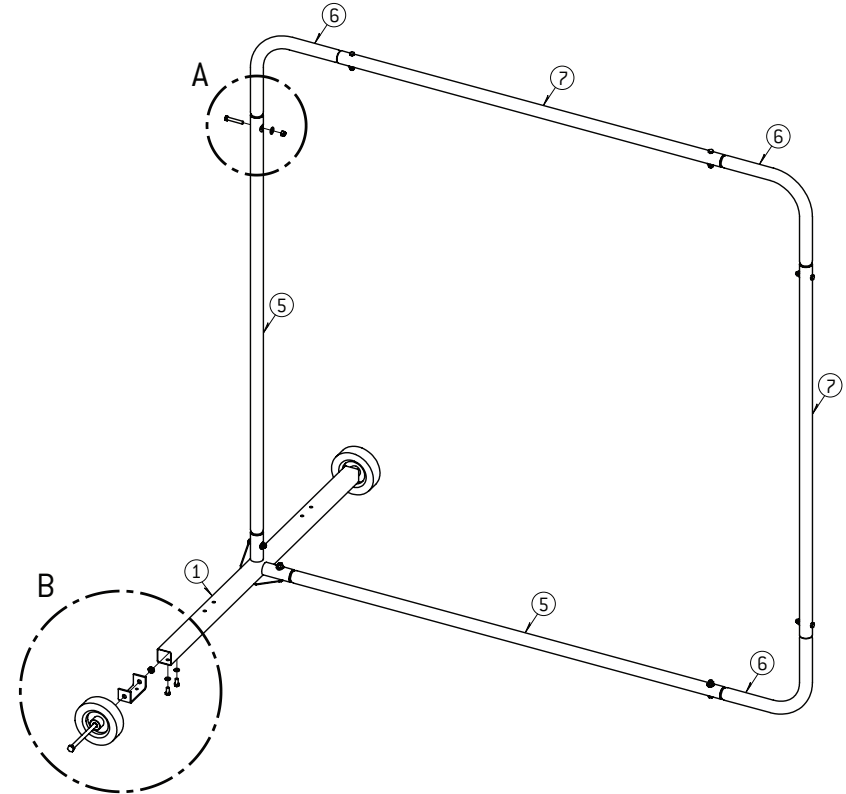
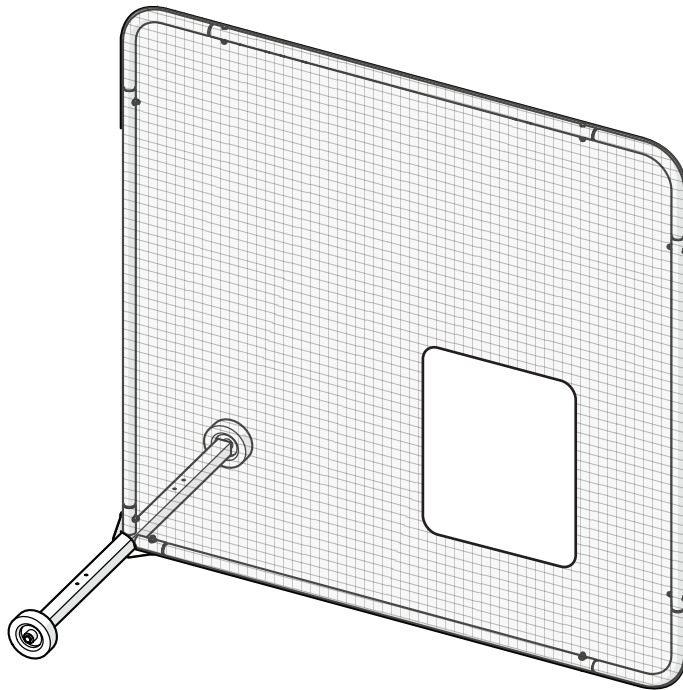
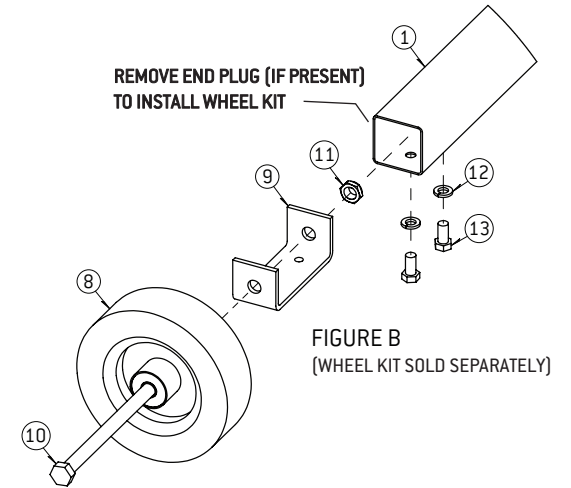
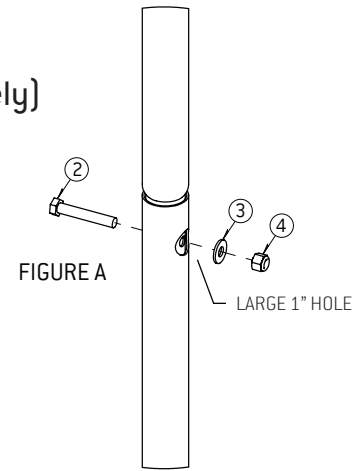
### STEP 3:

Slip pillowcase net over frame and secure bottom sewn rope borders to **frame** using zip ties **provided**.

ITEM NO.	DESCRIPTION	QTY.
1	SCREEN BASE (BB2049)	1
2	3/8"-16 X 2 1/4" HEX BOLT (PARTIAL THREAD)	8
3	5/16" X .875" OD WASHER	8
4	3/8"-16 LOCK NUT	8
5	LONG FRAME TUBE (BB2051)	2
6	FRAME CORNER (BB2053)	3
7	SHORT FRAME TUBE (BB2054)	2
--	7' X 7' SOFTBALL SCREEN NET	1
--	8" ZIP TIE PACK OF 100 (NOT SHOWN)	1

(WHEEL KIT SOLD SEPARATELY)

8	6" X 2" FLAT FREE TIRE	2
9	WHEEL KIT AXLE BRACKET	2
10	1/2"-13 X 7/16" HEX BOLT (PARTIAL THREAD)	2
11	1/2"-13 JAM LOCK NUT	2
12	3/8" X .68" OD SPLIT LOCK WASHER	4
13	3/8"-16 X 3/4" HEX BOLT	4



BEACON ATHLETICS

THE ULTIMATE BALLFIELD RESOURCE™

800-747-5985

BeaconAthletics.com