

7' x 5' L-Screen Assembly (shown with optional pad kit)

STEP 1:

Assemble frame and base using hardware provided.

STEP 2:

For maximum frame stability, face the large 1" hole opening on the frame components towards the interior of frame. The nut and washer are attached through the large hole opening (Figure A).

STEP 3:

Slip pillowcase net over frame and secure bottom sewn rope borders to frame using zip ties provided.

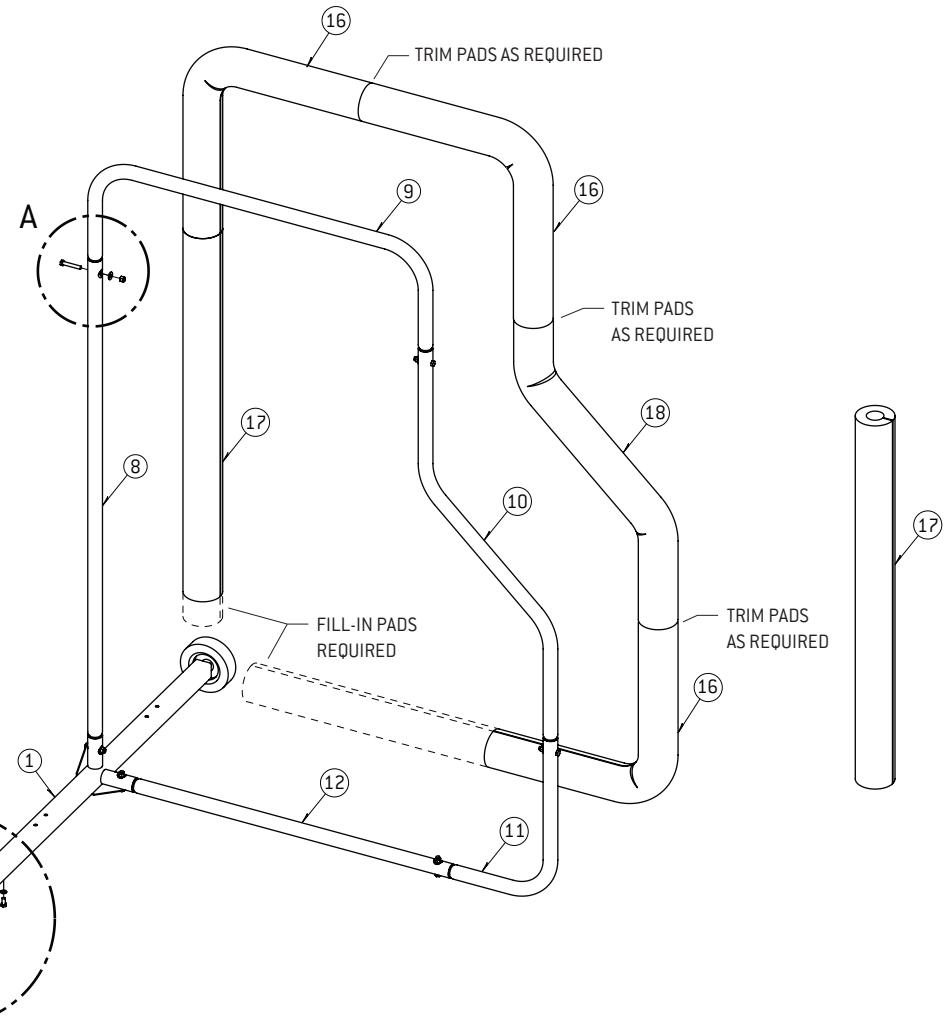
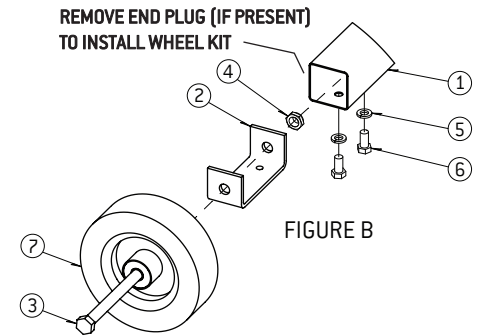
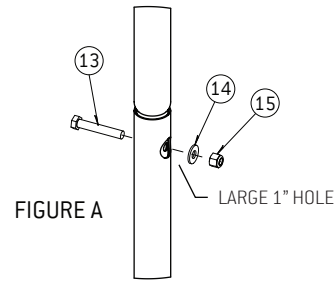
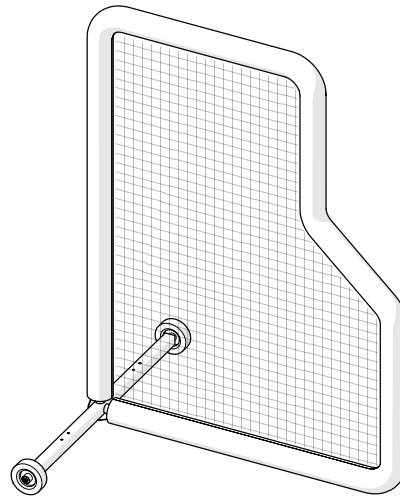
Skip steps 4 and 5 if optional pad kit not purchased.

STEP 4:

Assemble pre-cut foam pads as shown (if purchased). Trim as required. Use the extra Pad B (48" L) to cut fill-in sections for any remaining gaps.

STEP 5:

Starting at one end, attach vinyl banner to foam padding using zip ties. Seam to be located on interior of frame.



ITEM NO.	DESCRIPTION	QTY.
1	SCREEN BASE (BB2049)	1
2	WHEEL KIT AXLE BRACKET	2
3	1/2"-13 X 7/16" HEX BOLT (PARTIAL THREAD)	2
4	1/2"-13 JAM LOCK NUT	2
5	3/8" X .68" OD SPLIT LOCK WASHER	4
6	3/8"-16 X 3/4" HEX BOLT	4
7	6" X 2" FLAT FREE TIRE	2
8	LONG FRAME TUBE (BB2051)	1
9	U-BRACE (BB2050)	1
10	ANGLED CONNECTOR (BB2066)	1
11	FRAME CORNER (BB2064)	1
12	SHORT FRAME TUBE (BB2065)	1
13	3/8"-16 X 2 1/2" HEX BOLT (PARTIAL THREAD)	6
14	5/16" X .875" OD WASHER	6
15	3/8"-16 LOCK NUT	6
16	PAD A (43" L W/ (1) CUT ON SEAM)	3
17	PAD B (48" L)	2
18	PAD D (44" L W/ (1) CUT ON & (1) OPP. SEAM)	1
--	7' X 5' L-SCREEN NET	1
--	VINYL GROMMETED PAD COVER	1
--	8" ZIP TIE PACK OF 100 (NOT SHOWN)	1