



# TUFFscreens

## 7' x 7' L-Screen Assembly

### STEP 1:

Assemble frame and base using hardware provided.

### STEP 2:

For maximum frame stability, face the large 1" hole opening on the steel pipes towards the interior of frame. The nut and washer are attached through the large hole opening (Figure A).

### STEP 3:

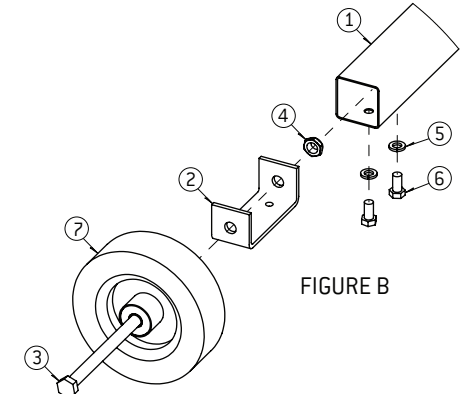
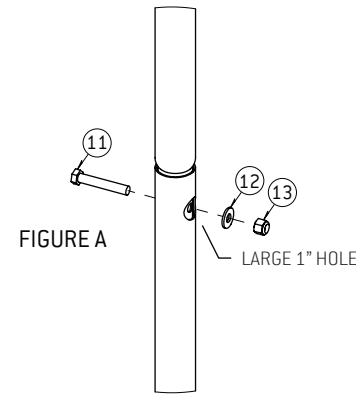
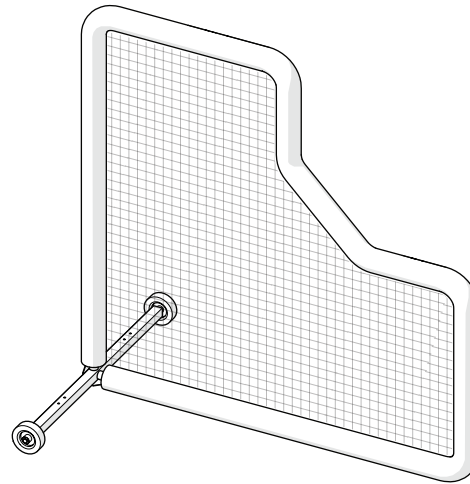
Slip pillowcase net over frame and secure bottom sewn rope borders to steel tubing using zip ties.

### STEP 4:

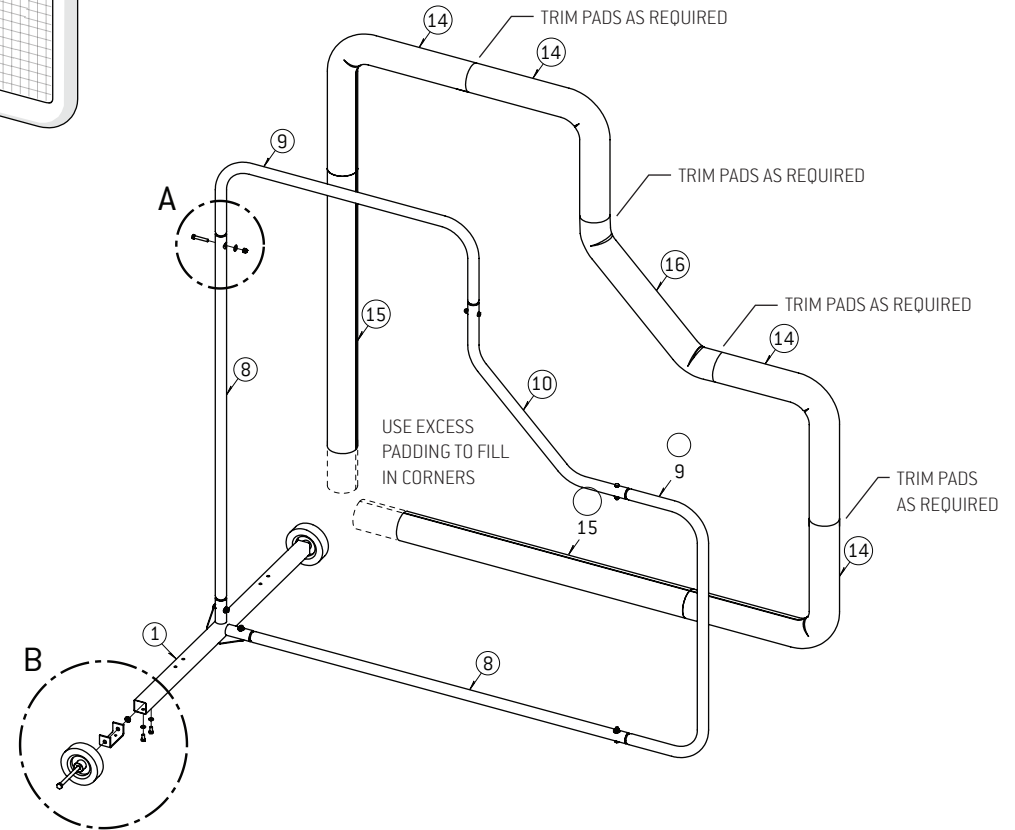
Assemble pre-cut foam pads as shown. Trim pads as required. Use excess padding to fill in corners.

### STEP 5:

Starting at one end, attach vinyl banner to foam padding using zip ties. Seam to be located on interior of frame.



| ITEM NO. | DESCRIPTION                                | QTY. |
|----------|--|------|
| 1        | INFIELD SCREEN BASE                        | 1    |
| 2        | WHEEL KIT AXLE BRACKET                     | 2    |
| 3        | 1/2"-13 X 7 1/2" HEX BOLT (PARTIAL THREAD) | 2    |
| 4        | 1/2"-13 JAM LOCK NUT                       | 2    |
| 5        | 3/8" X .68" OD SPLIT LOCK WASHER           | 4    |
| 6        | 3/8"-16 X 3/4" HEX BOLT                    | 4    |
| 7        | 6" X 2" FLAT FREE TIRE                     | 2    |
| 8        | 1.66" X 16 GA X 66.50" L TUBE, SWAGED      | 2    |
| 9        | 1.66" X 16 GA X 70.0625" L TUBE, SWAGED    | 2    |
| 10       | 1.66" X 16 GA X 42.875" L TUBE             | 1    |
| 11       | 3/8"-16 X 2 1/2" HEX BOLT (PARTIAL THREAD) | 6    |
| 12       | 5/16" X .875" OD WASHER                    | 6    |
| 13       | 3/8"-16 LOCK NUT                           | 6    |
| 14       | PAD A [43" L W/ [1] CUT ON SEAM]           | 4    |
| 15       | PAD B [48" L]                              | 2    |
| 16       | PAD C [29" L W/ [2] CUTS OPP. SEAM]        | 1    |
| --       | 7' X 7' L-SCREEN NET                       | 1    |
| --       | 29' VINYL BANNER COVER                     | 1    |
| --       | 8" ZIP TIE (NOT SHOWN)                     | 120  |



**BEACON ATHLETICS**

THE ULTIMATE BALLFIELD RESOURCE™

800-747-5985

BeaconAthletics.com