



For a detailed parts list of your Streamliner, visit www.BeaconAthletics.com.

STEP 1:

Slide rear wheels (with holes) onto axle. Insert cotter pins through holes on offset hub and axle, bending both ends to secure in place (Figure 3).

STEP 2:

Insert 1/2" x 9" hex head bolt through nose plate, large spacer, front wheel, and small spacer. Note orientation of offset hub. Secure with 1/2" lock nut (Figure 4).

STEP 3:

Mount handle base to frame using (2) 3/8" x 2-1/2" bolts, (4) washers and (2) lock nuts (Figure 2).

STEP 4:

Insert handle into handle base and secure with 3/8" x 1-1/2" bolt, (2) washers and lock nut (Figure 1).

For the telescoping handle option, see Figure 7 on page 2.

STEP 5:

Slide control lever handle through control plate (Figure 1). Hook end through grommet on white plastic mask (Figure 2).

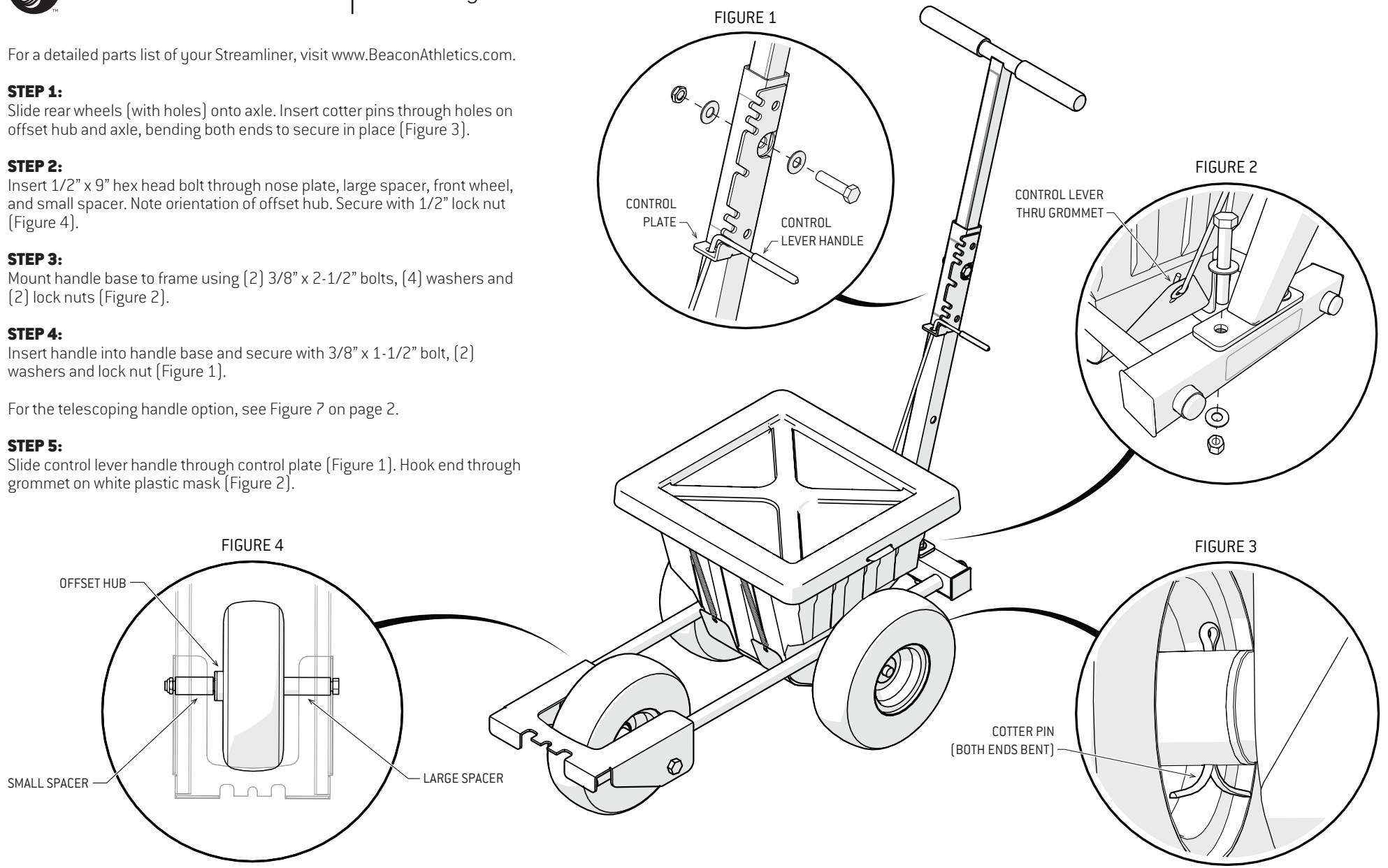


FIGURE 1

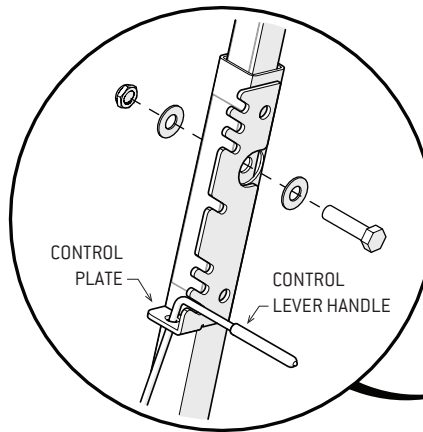


FIGURE 2

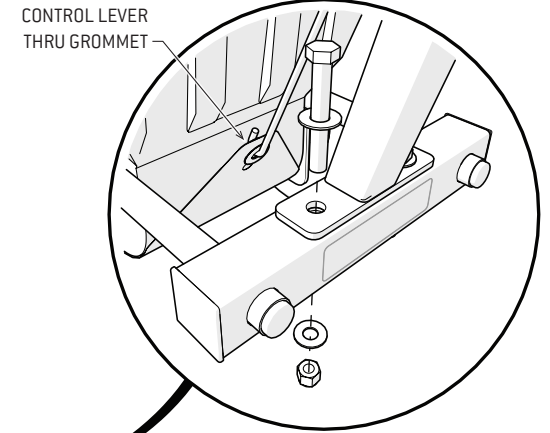


FIGURE 4

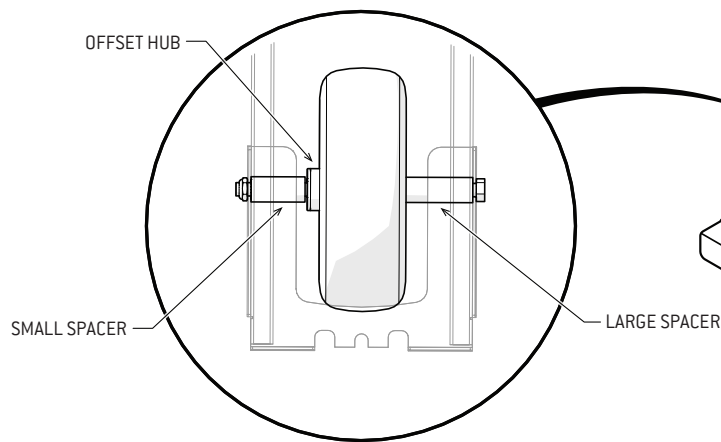
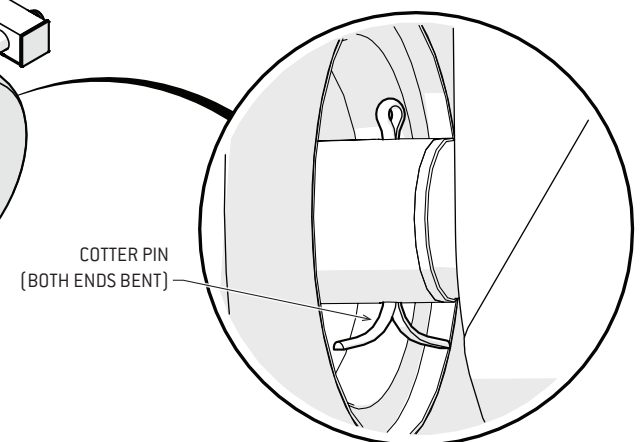


FIGURE 3





VARIABLE FLOW CONTROL:

The Streamliner's variable flow control gives you total command of the flow of your dry line material. Some dry line material will flow rapidly while others flow more slowly. With this in mind, the variable flow control was designed for the operator to adjust the opening according to each material's flow rate (Figure 5). Move the spring-loaded control lever up to mark a 2" line and down for a 4" line. The further away from the off position you get, the heavier the flow of chalk will become.

ALIGNMENT GUIDE:

The nose plate alignment guide provides a centerline notch as well as edge guides for outside edges of both the 2" and 4" lines (Figure 6). Simply lay out a string line and the Streamliner's alignment guide will help you maintain accurate alignment.

TELESCOPING HANDLE OPTION:

Streamliners assembled using the telescoping handle option can collapse for easy storage. Simply replace the handle bolt assembly with the push button provided (Figure 7).

MAINTENANCE:

If your Streamliner will sit idle for a month or longer, the hopper should be emptied completely. A more thorough cleaning is needed at the end of the season or if the Streamliner will be idle for several months. Use a hose to spray the entire unit inside and out.

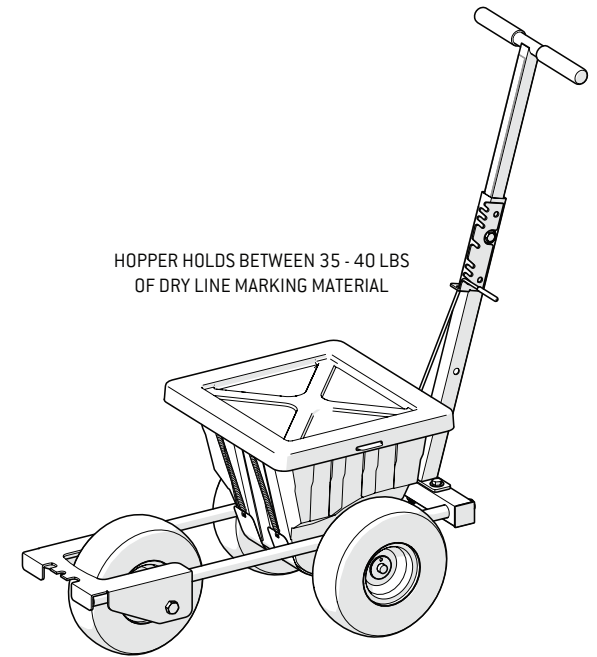


FIGURE 5

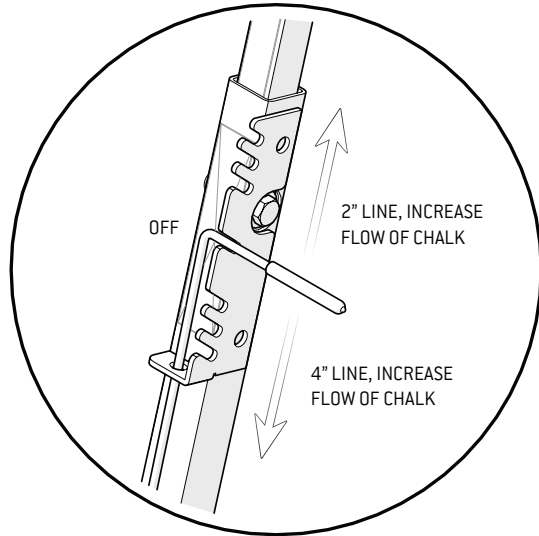


FIGURE 6

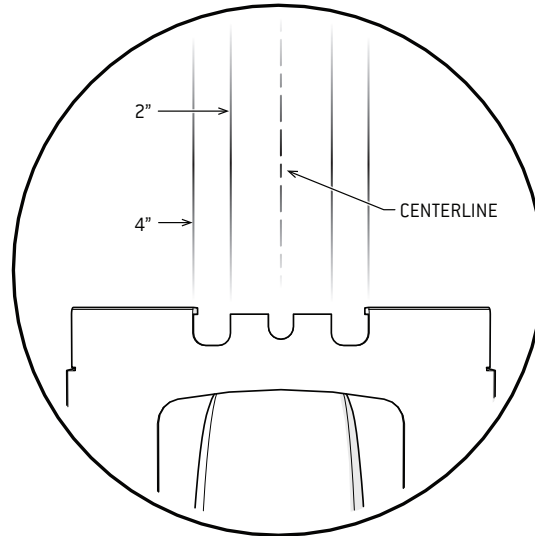


FIGURE 7

