



ASSEMBLY & USAGE GUIDE

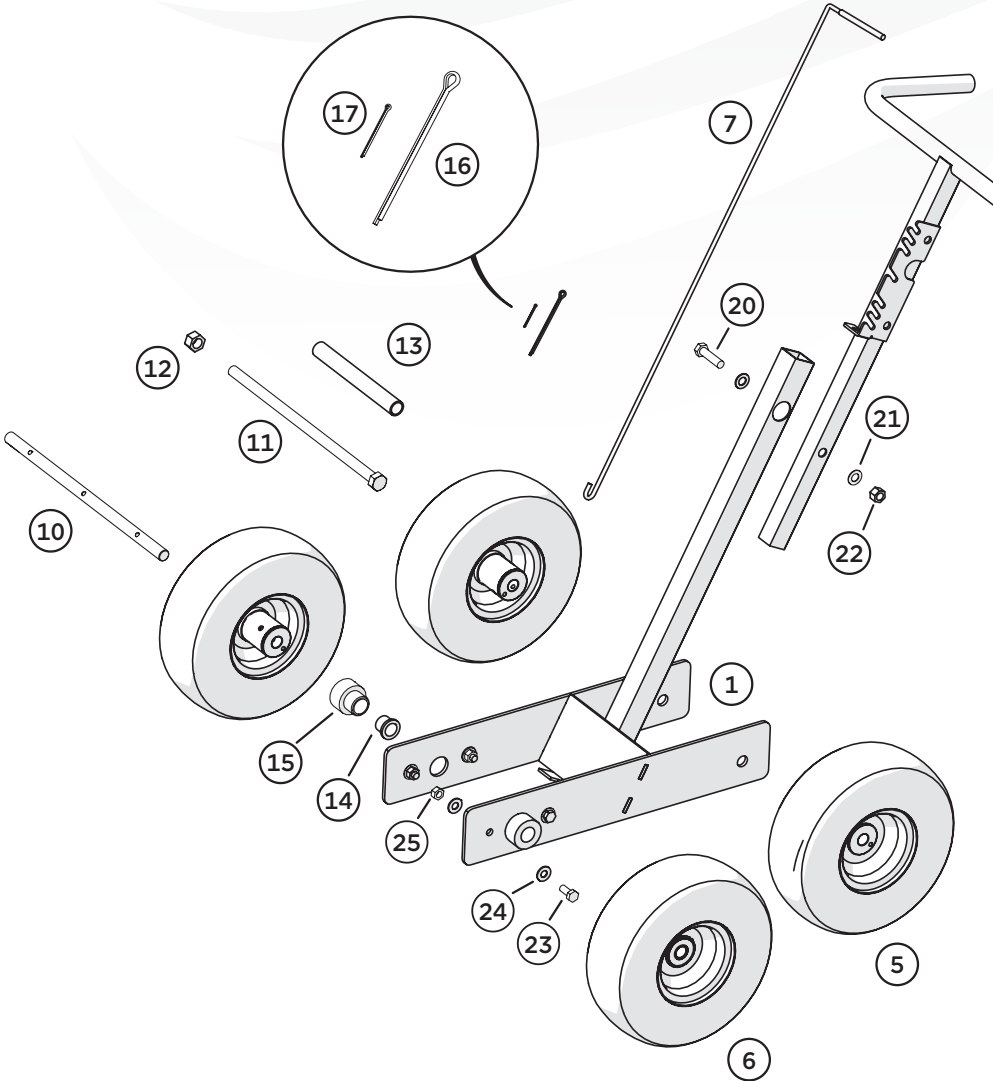
STREAMLINER 354



BEACON
Streamliner™
 DRYLINE MARKER

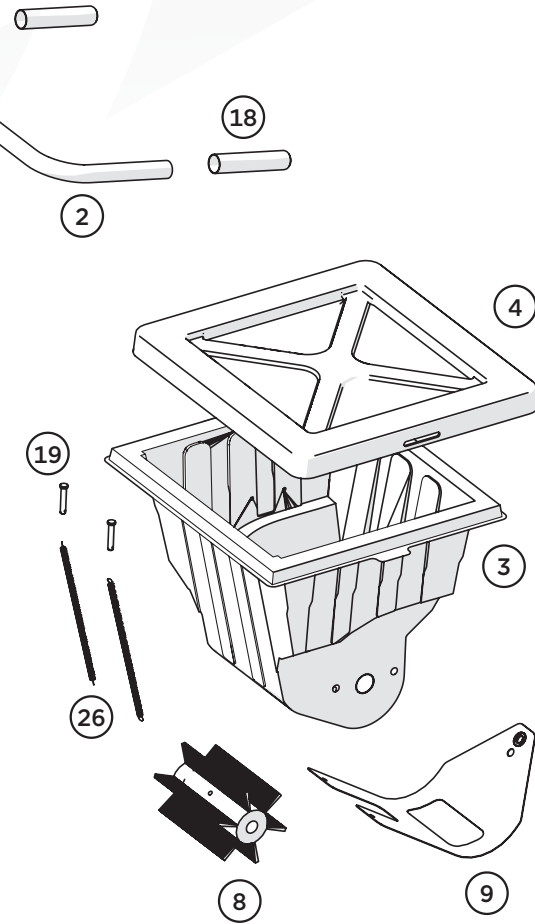


Your **Streamliner 354** was shipped partially assembled and requires some minor assembly to the handle and controls. Assembly will only take a few minutes.



PARTS DIAGRAM & LIST

Please reference this parts diagram and parts list when following the assembly and usage instructions on the follow pages.



	PART	QTY
1	Streamliner Frame	1
2	Handle	1
3	Hopper	1
4	Cover (353)	1
5	Rear Drive Wheel	2
6	Front Wheel	2
7	Control Rod	1
8	Brush Agitator	1
9	Mask	1
10	Axle	1
11	1/2" x 13" Hex Head Bolt	1
12	1/2"-13 Jam Lock Nut	1
13	Spacer	1
14	Inner Bearing	2
15	Outter Bearing	2
16	Cotter Pin (2-1/2")	1
17	Cotter Pin (2")	2
18	Handle Grip	2
19	Clevis Pin	2
20	3/8" x 1-1/2" Hex Head Bolt	1
21	3/8" Flat Washer	2
22	3/8"-16 Jam Lock Nut	1
23	5/16" x 3/4" Hex Head Bolt	4
24	5/16" Flat Washer	8
25	5/16"-18 Nylon Lock Nut	4
26	Spring (4")	2

ASSEMBLY INSTRUCTIONS

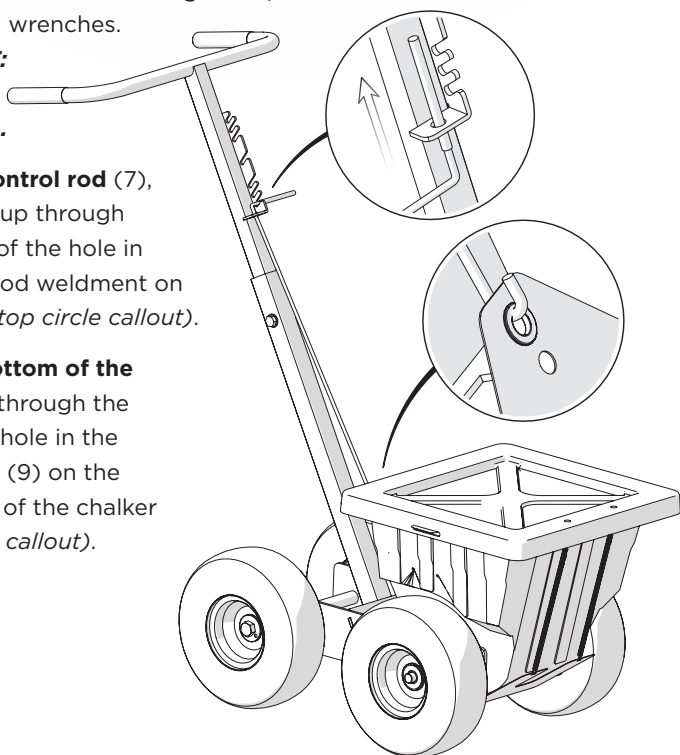
Your Streamliner 354 arrived partially assembled. This simple assembly is all you need to do before using. *Reference the exploded view illustration and the parts list on the previous pages.*

- 1. Remove** the handle bolt (20), washers (21) and bolt (22) that shipped with the handle.
- 2. Gently insert** the handle (2) into the handle receiver (1) on the Streamliner.
- 3. Align hole** in the handle with the hole in the handle receiver.
- 4. Starting from the same side** the control weldment is located on the handle, insert the handle bolt with a washer through the hole. Fasten with a washer and nut.
- 5. Tighten the handle bolt** using two 9/16" combination wrenches.

IMPORTANT:

Do not over tighten.

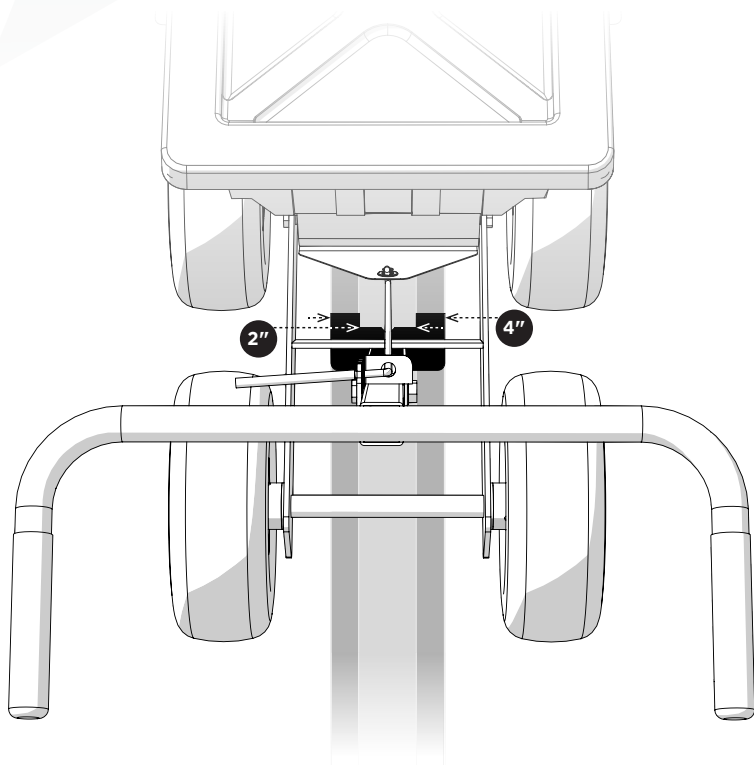
- 6. Insert the control rod (7),** handle first, up through the bottom of the hole in the control rod weldment on the handle (*top circle callout*).
- 7. Hook the bottom of the control rod** through the grommeted hole in the plastic mask (9) on the bottom rear of the chalker (*lower circle callout*).



ALIGNING GUIDE — USAGE TIPS

With your minor assembly complete you are now ready to chalk lines. Simply place some chalk in the hopper and head to the field.

Use the Aligning Guide while chalking your lines. The Aligning Guide is visible from the operator's position when you look directly down the handle. In the diagram below the guide has been blackened to illustrate the inside and outside edge for 2" or 4" chalk lines. Use the Aligning Guide, or the center notch on the guide, to align with your string line.



YOUR SATISFACTION IS OUR ULTIMATE GOAL.

Please contact us online at [BeaconAthletics.com/contact-us](https://www.BeaconAthletics.com/contact-us)
or call 800-747-5985 if you have any questions.

VARIABLE FLOW CONTROL — USAGE TIPS

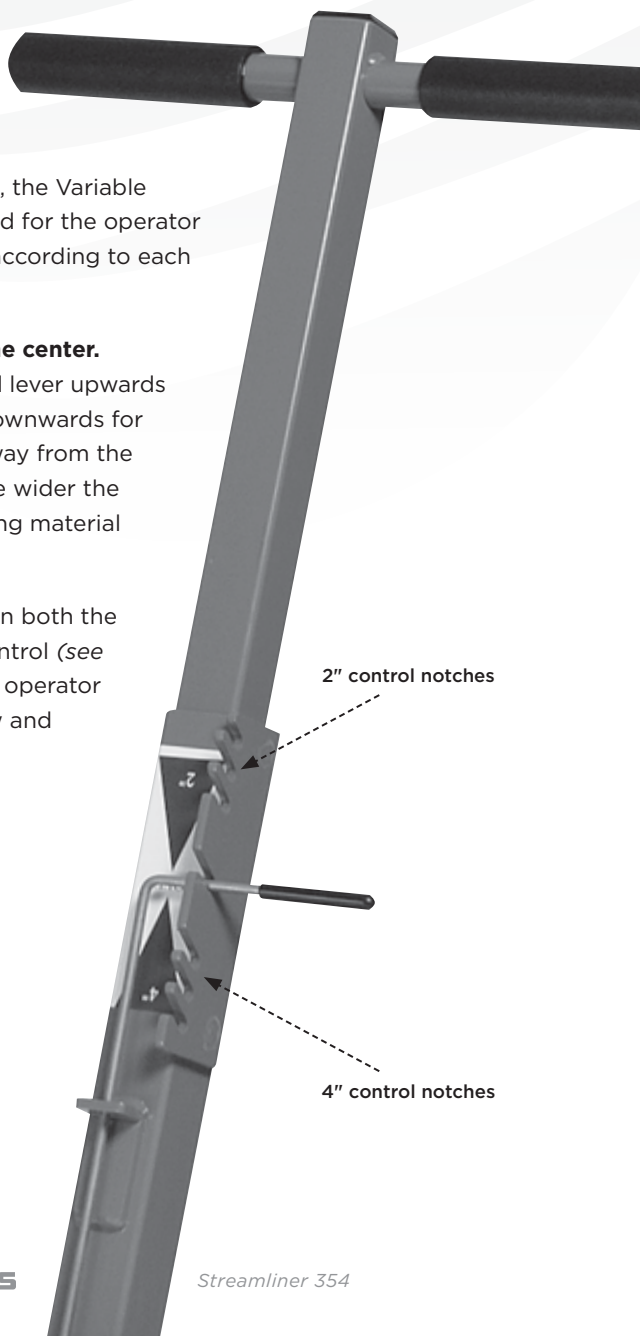
The Streamliner's Variable Flow On/Off Control gives you total command of the flow of your dryline material. Some chalking material will flow rapidly, while others flow more slowly and can “bridge” within the hopper.

Knowing this to be true, the Variable Flow Control is designed for the operator to **adjust the opening** according to each material's flow rate.

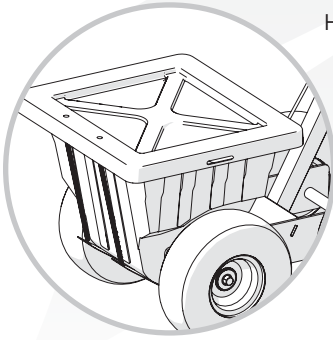
The off position is in the center.

Move the spring-loaded lever upwards to mark a 2" line and downwards for a 4" line. The further away from the off position you get, the wider the opening gets for chalking material to flow through.

Three preset notches on both the 2" and 4" end of the control (see *photo, right*) allows the operator to lock in the chalk flow and adjust on the fly, as necessary.



HOPPER CAPACITY



Hopper holds between **35 - 40 pounds** of dry line marking material.

REGULAR MAINTENANCE

If your Streamliner will sit idle for a month or longer, the hopper should be emptied completely. To empty the hopper, simply open the hopper cover and tip the unit over a large bucket. Spin the wheels to help remove any material that is clinging to the flexible brush agitator.

A more thorough cleaning is needed at the end of the season or if the Streamliner will be idle for several months.

- 1. Empty the hopper**, then return the Streamliner to its upright position.
- 2. Move the Variable Flow Control lever to the widest 4" line notch.**
- 3. Use a hose to thoroughly spray the entire unit** with water — including the hopper — inside and out.
- 4. Be sure to rotate the brush agitator as you spray** the interior of the hopper by rolling the Streamliner forward.
- 5. Allow the Streamliner to dry** thoroughly before using it again.





The Ultimate Ballfield Resource.

Thousands of field professionals turn to Beacon.

For us, that's more than just a slogan.

We've been in your shoes. So it's about giving you what you need, when you need it. To live up to "the ultimate ballfield resource" it goes beyond just delivering superior products. It's also about giving you on-demand resources that will help make your job easier. That's why we created *Ballfields.com* and *GroundskeeperU.com*. **Whatever you need, think Beacon.**

“I'm usually on the field when I remember I need to look something up. It's so awesome I can just pull out my phone, go to [Ballfields.com](https://www.ballfields.com) and there it is.”

— Johnny Annis, West Madison Little League (WI)

BEACON ATHLETICS

BeaconAthletics.com | Ballfields.com | GroundskeeperU.com | 800-747-5985
8233 Forsythia Street, Suite 120, Middleton, WI 53562

© Copyright 2019, Beacon Athletics. All Rights reserved. This material may not be republished, rewritten or redistributed including electronically cached without the prior written consent of Beacon Athletics.

Version 1 rev_2019-01