

# LEVEL BOARD

USAGE & ASSEMBLY GUIDE

**BEACON**  
**TUFFtools™**  
INFIELD LEVEL BOARD



**BEACON**  **ATHLETICS**

# Level Board

**The Beacon Level Board is an excellent tool for leveling or contouring grade** during field or landscape renovation, construction or regular maintenance.

For baseball skin maintenance, use it to:

- **Fine grade and level** infield skin areas
- **Re-level low areas** around the bases and players positions.
- **Spread out the spoils** left from a drag mat after removing it from the infield.
- **Smooth out infield skin topdressings** when the infield is too wet for drag mats.
- **Groom the infield skin** between innings.

The Level Board features a stainless steel cutting edge with a relief angle on the back of the blade for more effective soil smoothing. The extra heavy-duty aluminum handle and brace gives the tool ultimate stability. This design reduces the stress where the handle attaches to the blade. This enables the level board to pull and push large amounts of soil without fear of breaking the handle. The 54" wide blade makes leveling easier because of the amount of ground covered in a single pass.

## HOW TO USE

**Use this tool in similar fashion to a grader blade.** It can cut high spots in grades and fill low spots. It is wise to loosen and granulate the soil first in areas where grading will be performed by rototilling, harrowing, spiking or iron raking. Once the soil is loose enough to grade, cut or remove soil in high spots by pulling the tool towards you. Gradually apply downward pressure while slowly lowering the end of the handle closer to the ground until you are pulling away the desired amount of soil. It may take several passes to pull out the preferred amount.

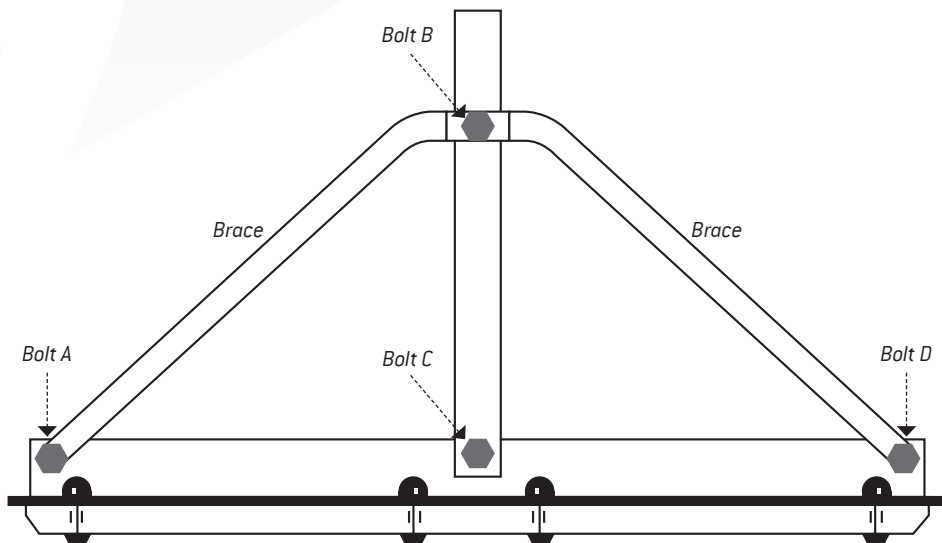
To fill or leave soil in low areas as you pull it towards you, simply reverse your actions. Gradually raise the end of the handle up and release the downward pressure until you are leaving behind the desired amount of soil. The blade can be angled from side to side to help feather or bleed off excess soil. By using your wrists you can angle either end of the blade up or down, simply rotate your hands in either direction on the handle for better contour grading.

**It takes a little practice to master using this tool.** But once mastered, you will find many applications for this tool from leveling infield skins to finish grading ahead of a sod job.

## ASSEMBLY

- 1 Install all four supplied bolts, leaving them loosened until all are in place.
- 2 With all in place, tighten each bolt.

*\*NOTE: braces attach to the underside of the aluminum angle.*



**Watch the Level Board in action:**  
[beaconathletics.com/blog/video/level-board/](https://beaconathletics.com/blog/video/level-board/)



Consider these Beacon Built field maintenance products ...

ADJUSTABLE WEIGHT DRAG SYSTEMS!



Beacon X-Drag Field Weight Kit



Beacon Adjustable Weight Nail Drag System



Get the weight right with either the Beacon X-Drag Kit Field Kit or Adjustable Weight Nail Drag System. Both allow you to adjust the weight of your drag with Beacon Field Weights. The correct weight depends upon many factors, and field weights will put you in control.

LEVEL BOARD & SLOPE GAUGE



Beacon Cocoa Mop



Beacon Mound Slope Gauge



Improve your efficiency and accuracy with these tried and true Beacon products.

The classic Cocoa Mop is excellent on mounds and for those tight maneuvering areas, while the heavy-duty aluminum Mound Slope Gauge gives you an accurate indication of your mound slope.

Contact us or visit [BeaconAthletics.com](http://BeaconAthletics.com)

**BEACON ATHLETICS**

BeaconAthletics.com | 800-747-5985 | fax 608-836-0724

8233 FORSYTHIA STREET, SUITE 120, MIDDLETON, WI 53562

© Copyright 2018, Beacon Athletics.. All Rights reserved. This material may not be republished, rewritten or redistributed including electronically cached without the prior written consent of Beacon Athletics.

Version 2 rev.2018-03