

**BEACON**<sup>®</sup>  
**ProBrick**<sup>™</sup>  
**UNFIRED CLAY**



**INSTALLATION & MAINTENANCE**



**BEACON**<sup>®</sup>  **ATHLETICS**

**BEACON**  
**ProBrick™**  
**UNFIRED CLAY**



**Beacon ProBricks will improve** several difficult maintenance areas on your fields. Areas to install ProBricks include: the table of the pitching mound, the area immediately in front of the pitching rubber, the pitcher's landing area, the batter's boxes, and the catcher's box. Below are basic instructions for installing clay bricks.

**I N S T A L L A T I O N   I N S T R U C T I O N S**

**1 Determine the size of the area.**

Refer to the brick recommendations on pages 4-6 to determine the size of the area you need to fortify with Beacon ProBricks. Layout and mark with spray paint the area to be fortified. Excavate a slightly larger area than you planned to ensure enough working room.



**2 Excavate the area.**

Using your spray paint markings as a guide, excavate the area to a depth 1/2" deeper than the clay brick. Beacon ProBricks are 2.5" tall, so your depth should be 3".



**3 Level and tamp the area.**

This is a critical step. For proper seating of the clay bricks, you need to ensure uniform depth and smoothness across the subgrade by thoroughly leveling and tamping the area. If installing bricks on the mound slope, be sure to use a Mound Slope Gauge to accurately setup the slope of the subgrade. The slope should perfectly match the finish slope after the bricks are installed (see "Using a Mound Slope Gauge" on page 4).



#### 4 Lay the bricks, then tamp.

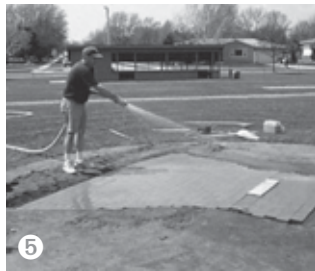
Lay the bricks tightly together side by side in the excavated area. Alternate the brick seams as you lay each row. Once all of the bricks are in place, give them a light to moderate tamping to seat them into place.



#### 5 Add moisture to the bricks.

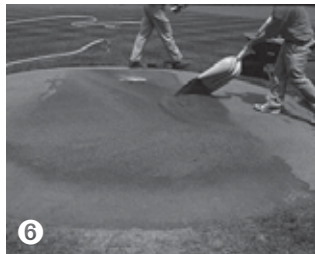
If the bricks have a good amount of moisture in them (can be easily dented by pressing with your thumb) then simply give the clay bricks a quick soaking. If they have dried somewhat, then the bricks need to be rehydrated more extensively. Cover the clay bricks with a single layer of cotton towels or rags. Saturate the towels and allow the brick to wick the water from the towels. Repeat dowsing the towels with water every 15 to 30 minutes until you feel the bricks have adequately rehydrated.

**NOTE:** Bricks *DO NOT* spoil just because they have dried out.



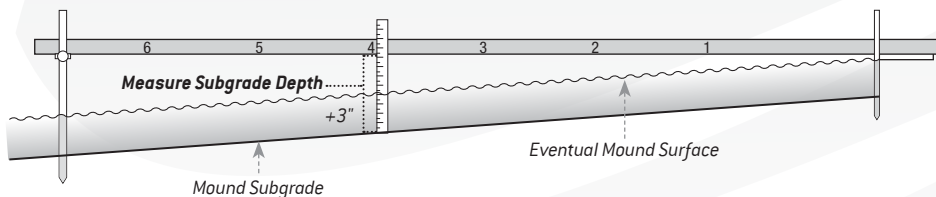
#### 6 Cover with 1/2" layer of soil.

Finish the installation by covering over the clay brick with a thin 1/2" layer of infield soil or topdressing material to bring it to finish grade.



**It is highly recommended** that the mound and batter's box areas be covered with a tarp when not in use to maintain consistent moisture in your clay bricks.

# Using a Mound Slope Gauge



## Setting your subgrade for clay brick installation.

If **constructing or renovating** a mound with clay brick, a mound slope gauge ([beaconathletics.com/slopegauge](http://beaconathletics.com/slopegauge)) will help you establish the correct subgrade before installing clay bricks. Your subgrade upon which the clay brick will be installed should have the exact same slope as the finished mound slope.

So, simply set up your slope gauge on the front of the mound. Using the 2.5" thick ProBricks just add another 1/2" for your top dressing for a total of 3" of finished depth. Then add that 3" to each of the finished slope readings indicated on the gauge. For example, at the 1" mark on the gauge you should measure down 4" (1" slope + 3" brick/topdressing). At the 2" mark you should measure down 5"; etc. This will ensure you have the correct depth for the excavated subgrade so you arrive at the correct finish grade of the mound slope when you have completed installation of 2.5" ProBrick clay bricks.

Visit [beaconathletics.com/slopegauge](http://beaconathletics.com/slopegauge) for the Beacon Mound Slope Gauge shown below at Cleveland's Progressive Field.



# Maintenance of Clay Brick Areas

**For your clay installation to perform successfully**, the area must be properly maintained. These three key maintenance practices should be followed faithfully in order to enjoy maximum benefits from your clay installation.



- 1 Repair clay areas as frequently as possible to avoid deep holes.** Repairs are best performed right after a practice or game. Start by sweeping the clay areas free and clear of all topdressing and spoils. Using a sharpened iron rake, cut any high spots down to their original grade. Sweep again to make sure no spoils are left in the bottom of the wear spots. Use new clay to repair the wear areas and to ensure that you get maximum binding of the new clay to existing clay. The new clay should be moist enough to bind but not so wet that it sticks to your tools. Wet the bottom and sides of the wear areas. If there is water left in the holes after a minute or two, sweep the excess water out. Add new pre-moistened clay to the wear areas and tamp tightly into place. Use a sharpened iron rake to cut down any high spots in the new clay so it is down to finish grade, then tamp again to tighten it up. Water the clay area as needed and cover with a tarp.
- 2 Add water regularly to maintain proper hydration.** The best time add moisture is right after the clay areas have been repaired. First, sweep away any topdressing or spoils. Then douse the clay area with water and allow time for it to be absorbed by the clay before reapplying any infield soil or topdressing over the clay area. How much water to apply will depend on when the next game or practice is scheduled for the field. Perform a finish grooming to the surface and re-water. Allow the surface to cure a bit in the sun and breeze before covering with a tarp.
- 3 Cover clay areas with a tarp whenever they are not in use.** Remember, when clay is open to the atmosphere, evaporation is occurring. You are constantly losing moisture in the clay into the atmosphere. Breezy conditions, a lower relative humidity in the air, and higher solar radiation all increase the speed of evaporation with exposed clay areas. Keep them protected with a tarp when not in use to help manage the moisture content and reduce the loss to evaporation.

# Estimated Brick Requirements

**Beacon ProBrick provides the ultimate fortification.** They're perfect for the high wear areas around baseball and softball pitching mounds, batter's boxes, and catcher's boxes. When installed correctly and maintained properly, these clay bricks provide pliable but firm footing for pitchers, hitters, and catchers.

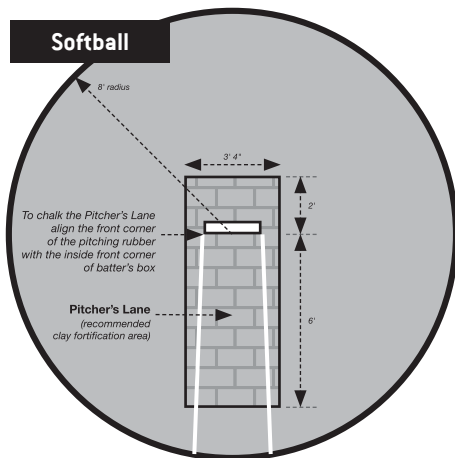
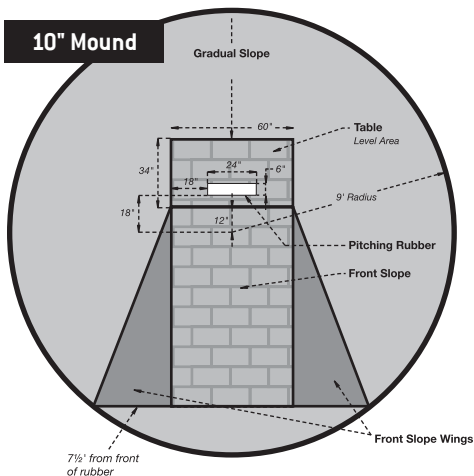
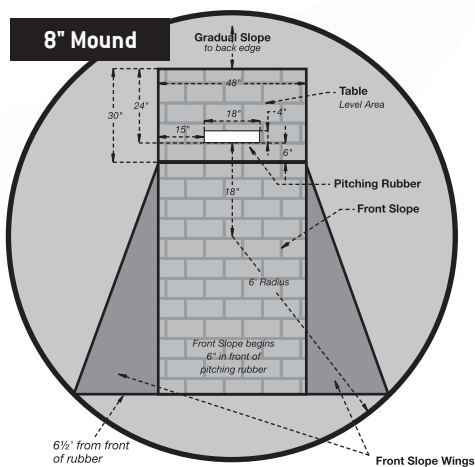
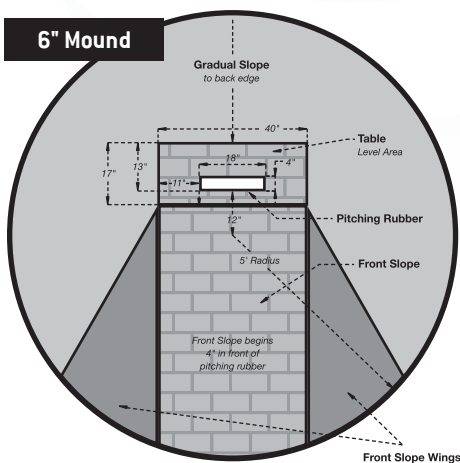
See our online field dimensions guide at [ballfields.com/ballfield-layout](http://ballfields.com/ballfield-layout).

## PITCHING MOUNDS

	Top Table & Front Slope		
	Sq ft	Number of Bricks	
		2.5" depth	4" depth
Youth 6" Mound	23.5	106	*
Youth 8" Mound	35	158	252
Adult 10" Mound	54	243	389
Softball Mound	27	122	195

	Optional Wings		
	Sq ft	2.5" depth	4" depth
12	54	*	
13	59	94	
25	113	180	

\* 4" depth not necessary since metal spikes not allowed at this level of play.



# BATTER'S & CATCHER'S BOXES

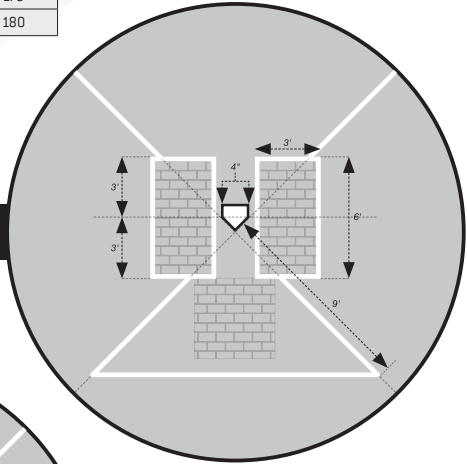
Batter's & Catcher's Areas

	Sq ft	Number of Bricks	
		2.5" depth	4" depth
Youth 6' x 3' Batter's Box	18	81**	*
Adult 6' x 4' Batter's Box	24	108**	173**
Softball 7' x 3' Batter's Box	21	95**	151**
Youth Catcher's Box	18	81	*
Adult Catcher's Box	24	108	173
Softball Catcher's Box	25	113	180

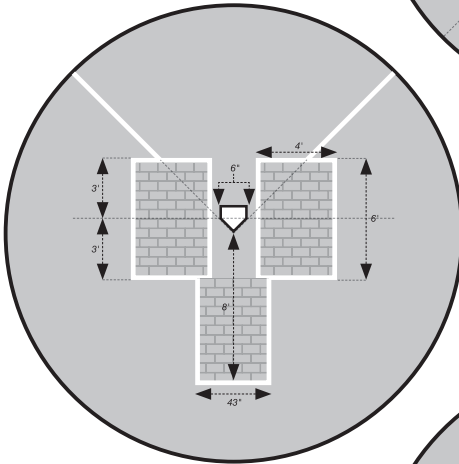
\* 4" depth not necessary since metal spikes not allowed at this level of play.

\*\* This is a per-box count. Double up to have enough bricks for the left and right batter's box.

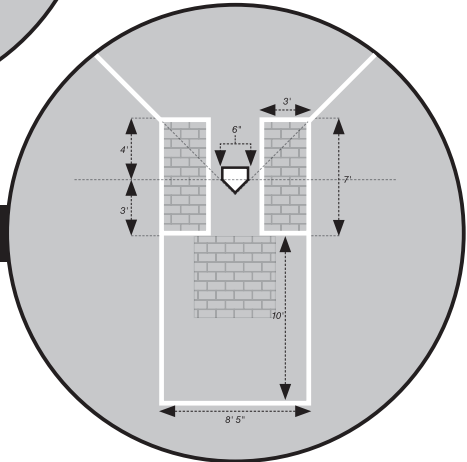
Youth



Adult



Softball



## Consider these Beacon Built field maintenance products...

### MAKE BRICK INSTALLATION EASY...



ProCord String Winder



SweetSpot Tamp System

**Beacon has equipment for all over the field.** And these products will definitely help you around home plate, the pitcher's mound, and around the infield. Make brick installation much easier and more accurate with these four tried & true products.



Beacon Level Board



Beacon Mound Slope Gauge

**Improve your efficiency and accuracy** with these tried and true Beacon products. The Level Board lets you cover a much wider area to cut down high spots, making your leveling more effective and the heavy-duty aluminum Mound Slope Gauge gives you an accurate indication of your mound slope.

*Contact us or visit [BeaconAthletics.com](http://BeaconAthletics.com)*

# BEACON ATHLETICS

[BeaconAthletics.com](http://BeaconAthletics.com) | 800-747-5985 | fax 608-836-0724 | [Ballfields.com](http://Ballfields.com)

8233 FORSYTHIA STREET, SUITE 120, MIDDLETON, WI 53562

© Copyright 2017. All Rights reserved. This material may not be republished, rewritten or redistributed including electronically cached without the prior written consent of Beacon Athletics.

Version 1 rev.2017-11