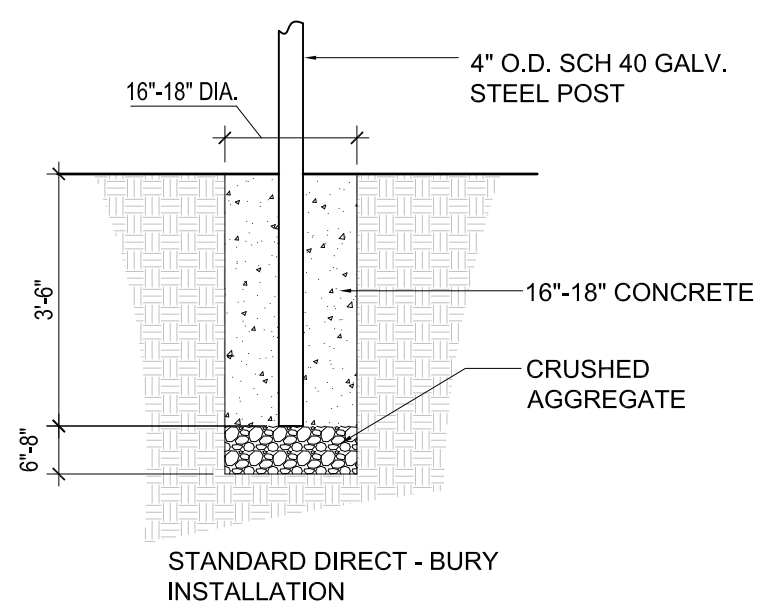


**1 PLAN VIEW**  
Scale: 1/8" = 1'-0"



**2 FOOTING DETAIL**  
Scale: 3/8" = 1'-0"

**Note to Architect:**  
Drawing shown is for a standard product. Dimensions can be customized as needed. Any changes must be authorized and approved by Beacon Athletics to ensure proper function.



**TUFFframe™ TENSIONED BATTING CAGE**

- 70' DOUBLE BATTING CAGE ITEM #105-100-170
- 55' DOUBLE BATTING CAGE ITEM #105-100-160

REVISION #	BY	DATE

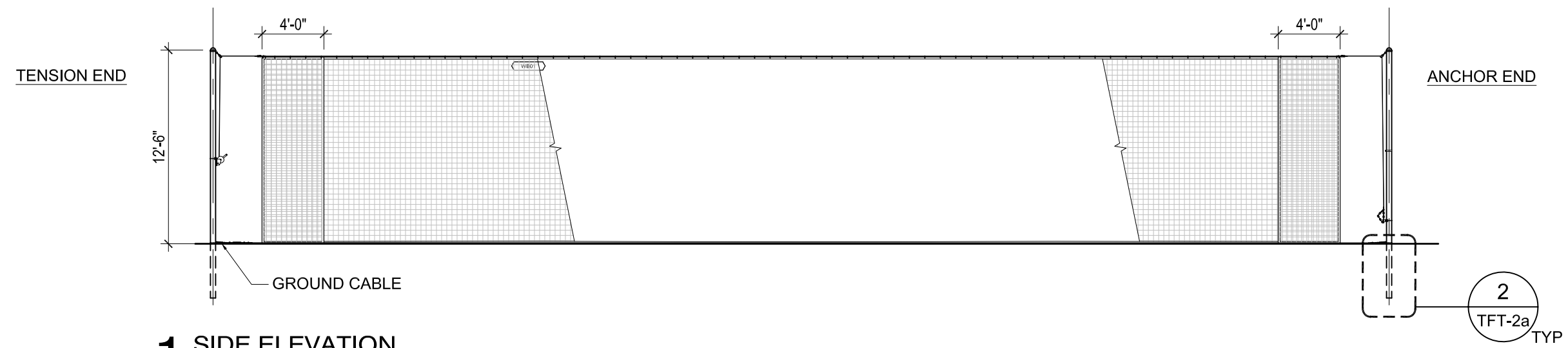
SCALE:	SEE DWG
DRAWN BY:	JP
DATE:	06/23/2014
DRAWING NO:	<b>TFT-2a</b>

DRAWING TITLE:  
**TUFFframe™ TENSIONED OUTDOOR 70' or 55' BATTING CAGE - DOUBLE  
ELEVATIONS**

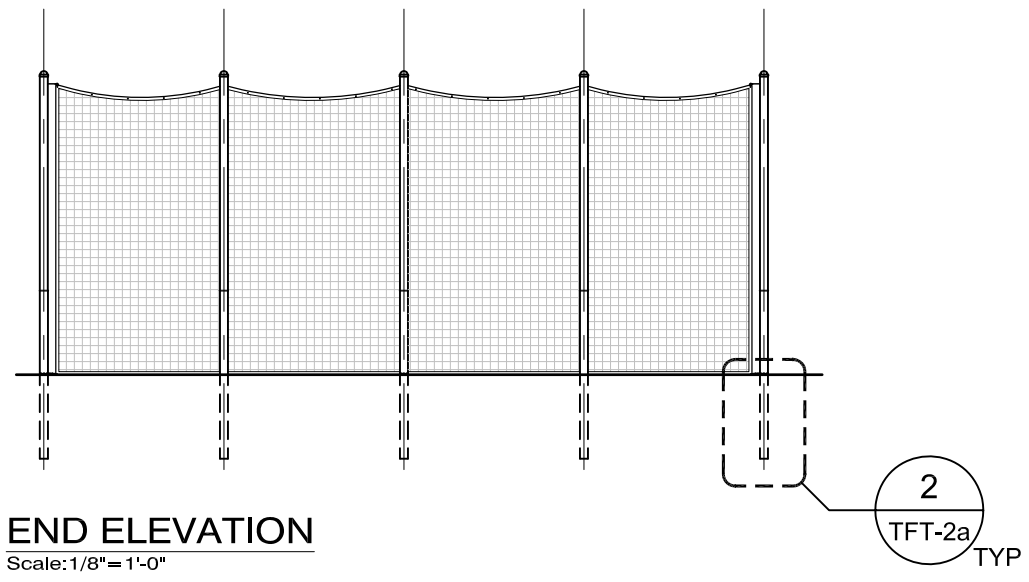
CLIENT: .  
PROJECT NAME: .  
PROJECT LOCATION: .

REVISION #	DATE	BY
.	-/-	.

SCALE:	SEE DWG
DRAWN BY:	JP
DATE:	06/23/2014
DRAWING NO:	<b>TFT-2b</b>



**1 SIDE ELEVATION**  
Scale: 1/8" = 1'-0"



**2 END ELEVATION**  
Scale: 1/8" = 1'-0"