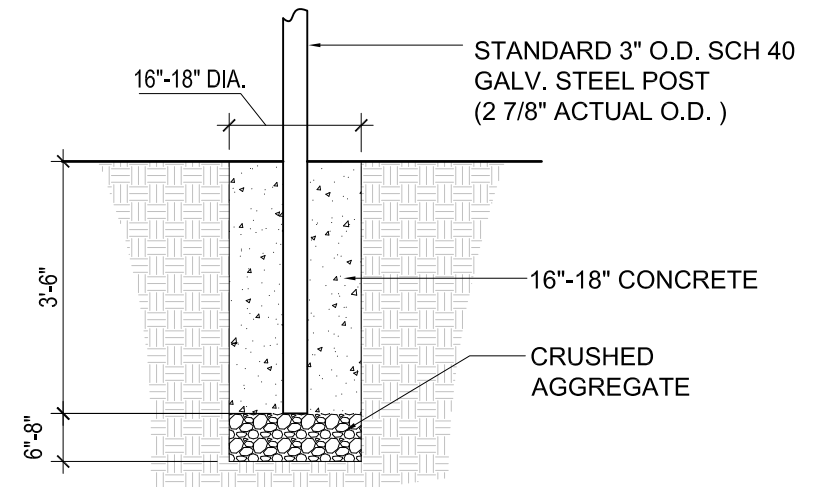
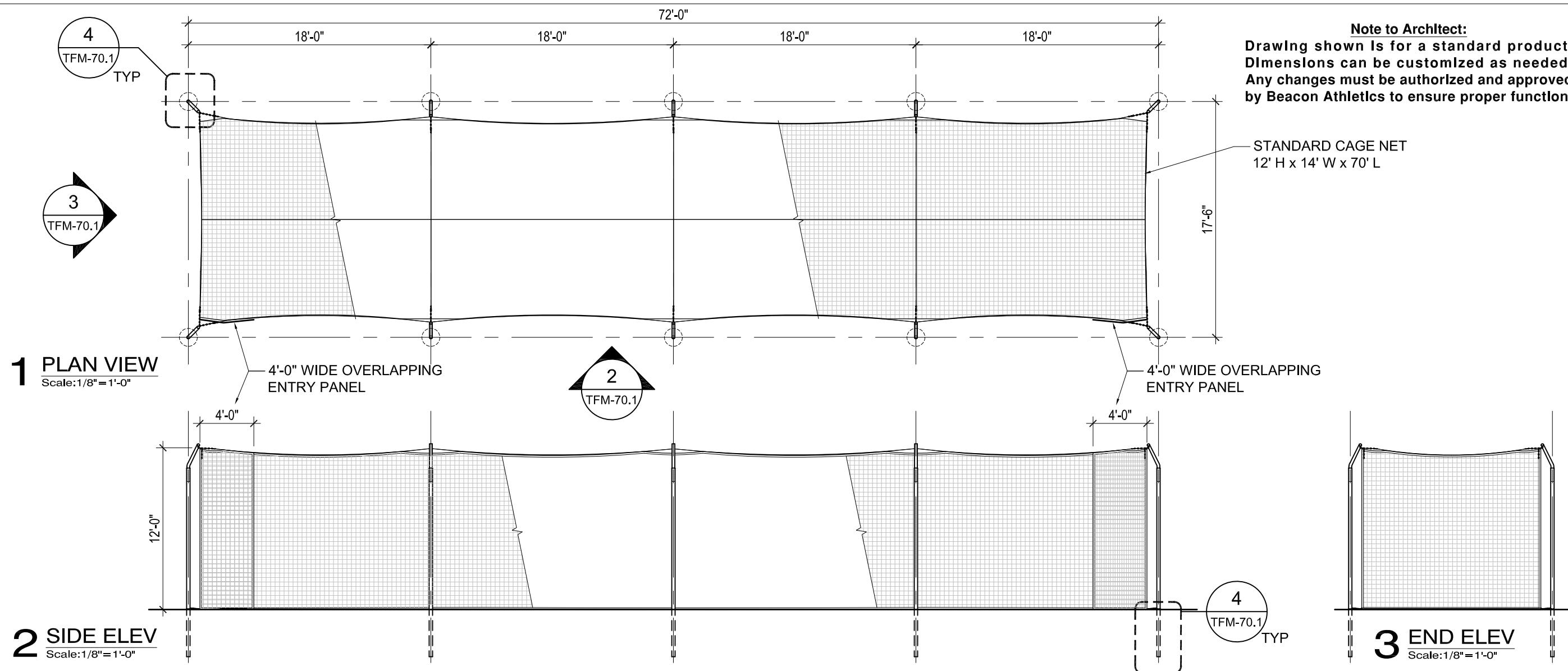
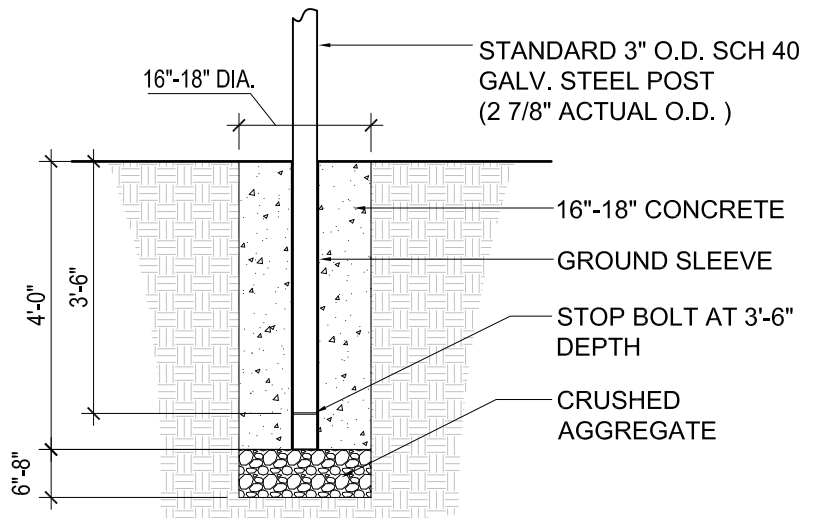


Note to Architect:
Drawing shown is for a standard product. Dimensions can be customized as needed. Any changes must be authorized and approved by Beacon Athletics to ensure proper function.



4 FOOTING DETAIL
Scale: 3/8" = 1'-0"



DRAWING TITLE:
TUFFframe™ MODULAR OUTDOOR 70' BATTING CAGE - SINGLE

CLIENT: .
PROJECT NAME: .
PROJECT LOCATION: .

REVISION #	BY	DATE

SCALE:	SEE DWG
DRAWN BY:	JP
DATE:	06/23/2014
DRAWING NO:	TFM-70.1