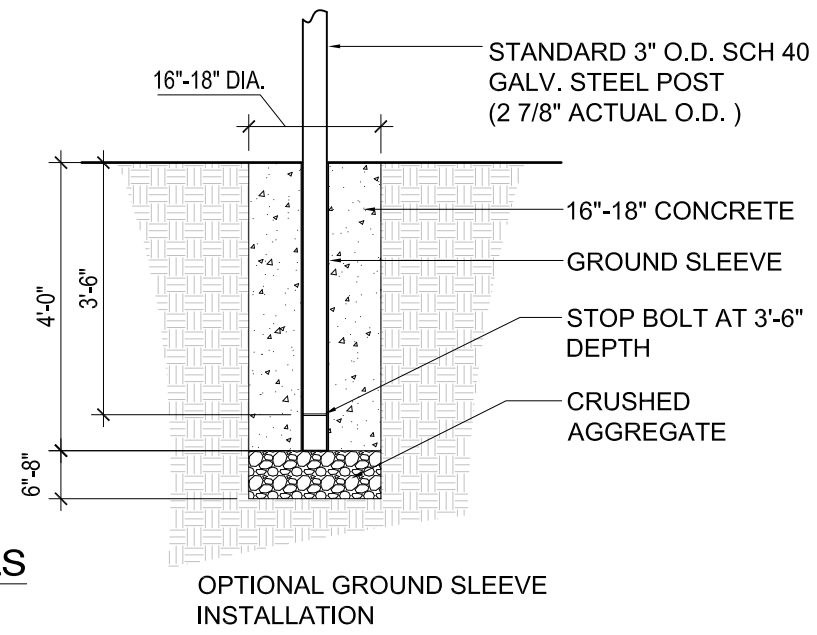
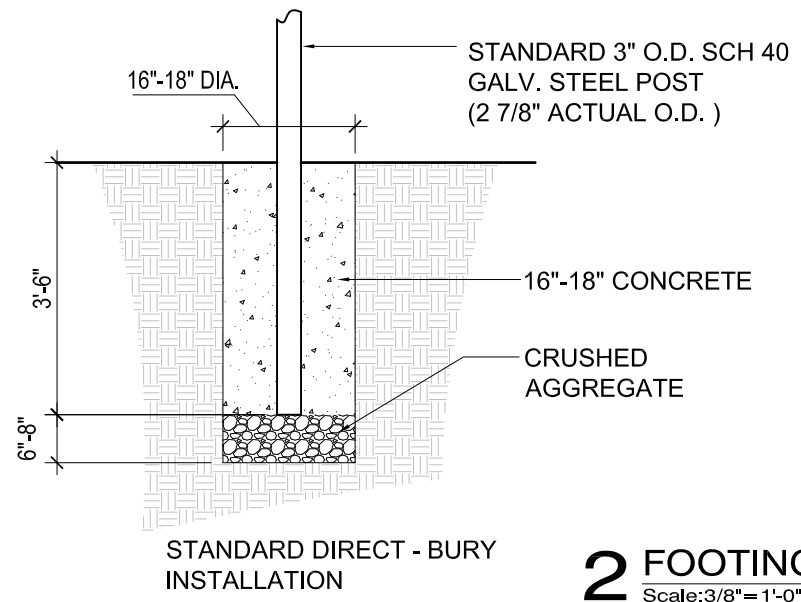
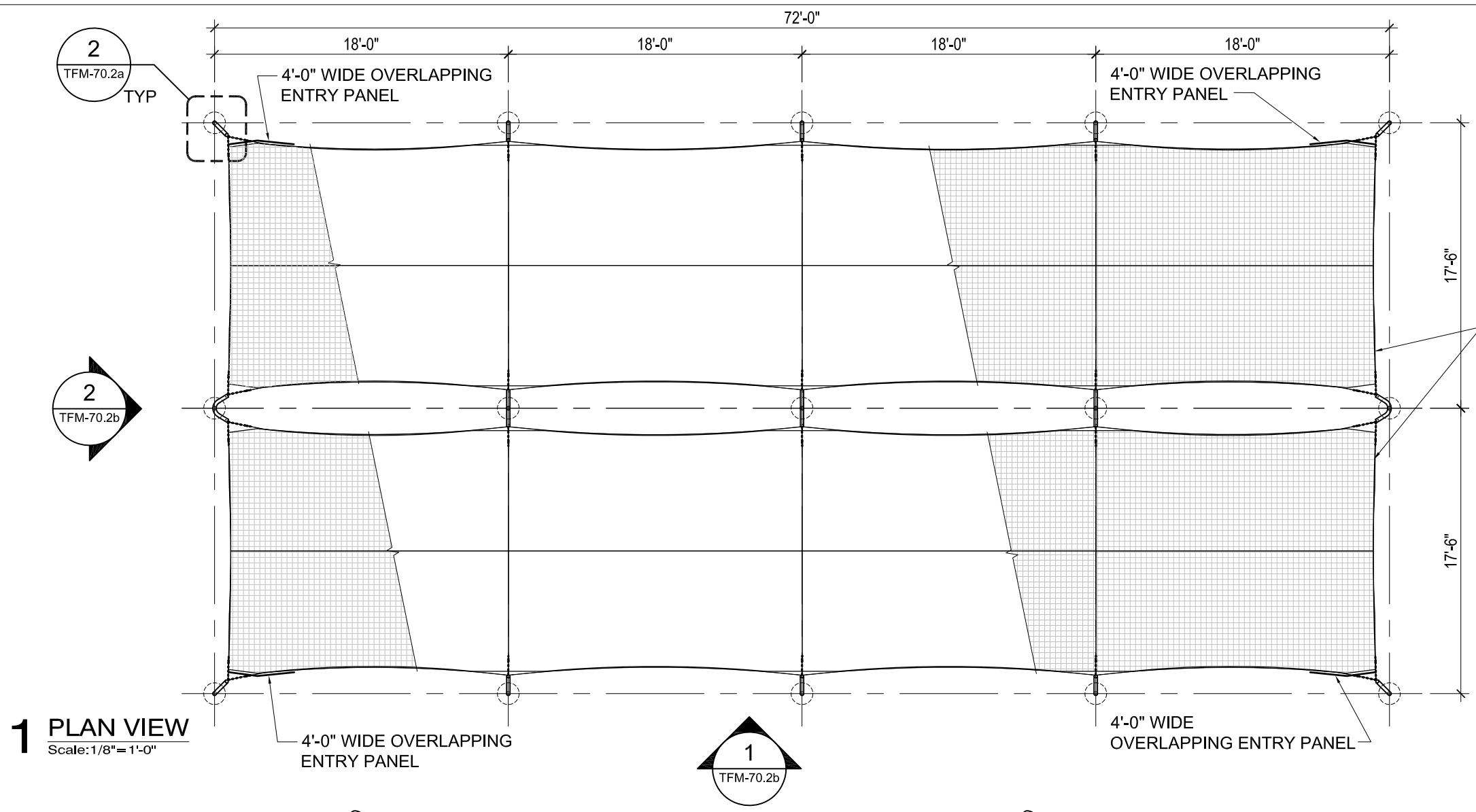
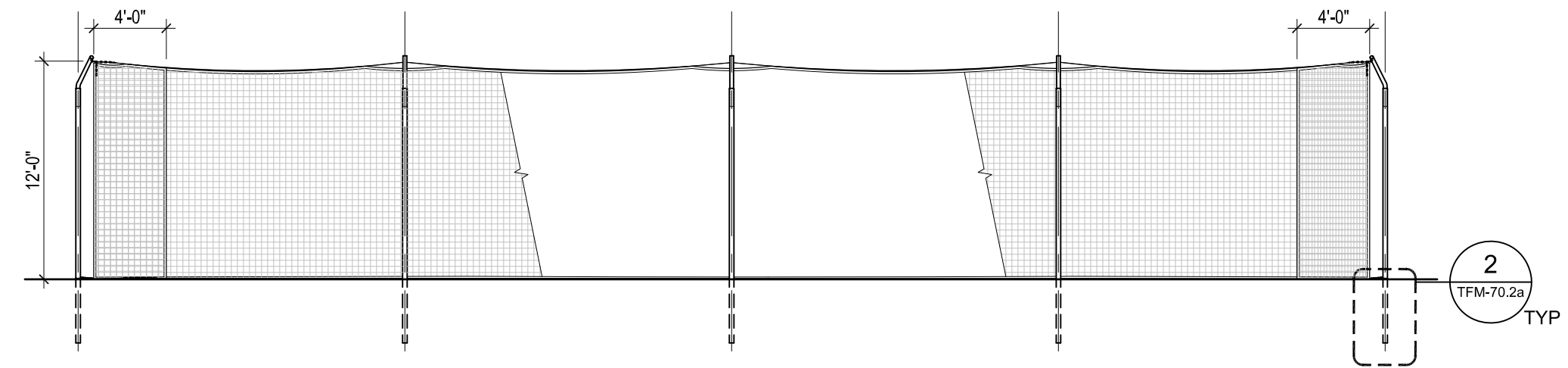


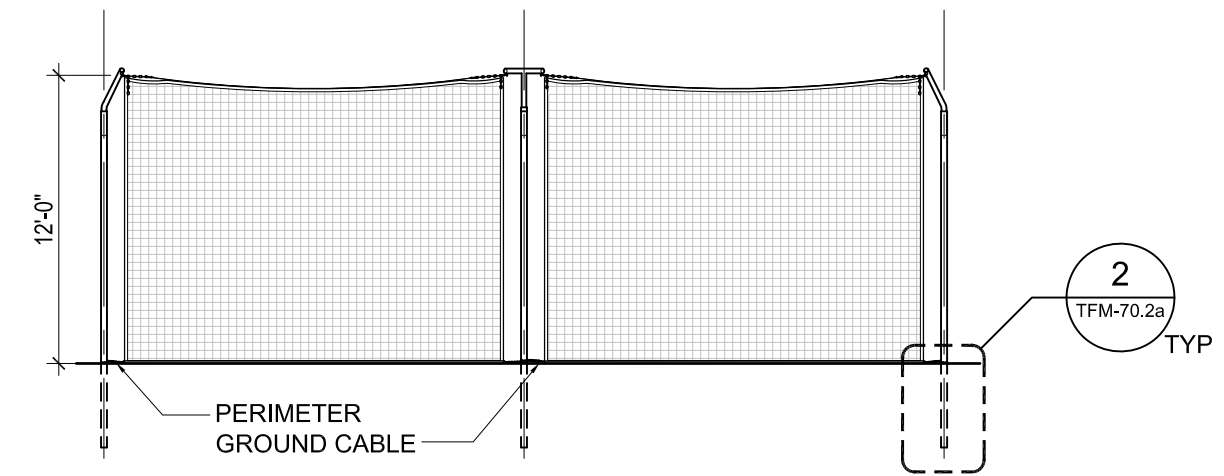
Note to Architect:
Drawing shown is for a standard product.
Dimensions can be customized as needed.
Any changes must be authorized and approved
by Beacon Athletics to ensure proper function.



REVISION #	DATE	BY



1 SIDE ELEVATION
Scale: 1/8" = 1'-0"



2 END ELEVATION
Scale: 1/8" = 1'-0"

DRAWING TITLE:
TUFFframe™ MODULAR OUTDOOR 70' BATTING CAGE - DOUBLE ELEVATIONS

CLIENT: .
PROJECT NAME: .
PROJECT LOCATION: .

REVISION #	DATE	BY
.	-/-	.

SCALE:	SEE DWG
DRAWN BY:	JP
DATE:	06/23/2014
DRAWING NO:	TFM-70.2b