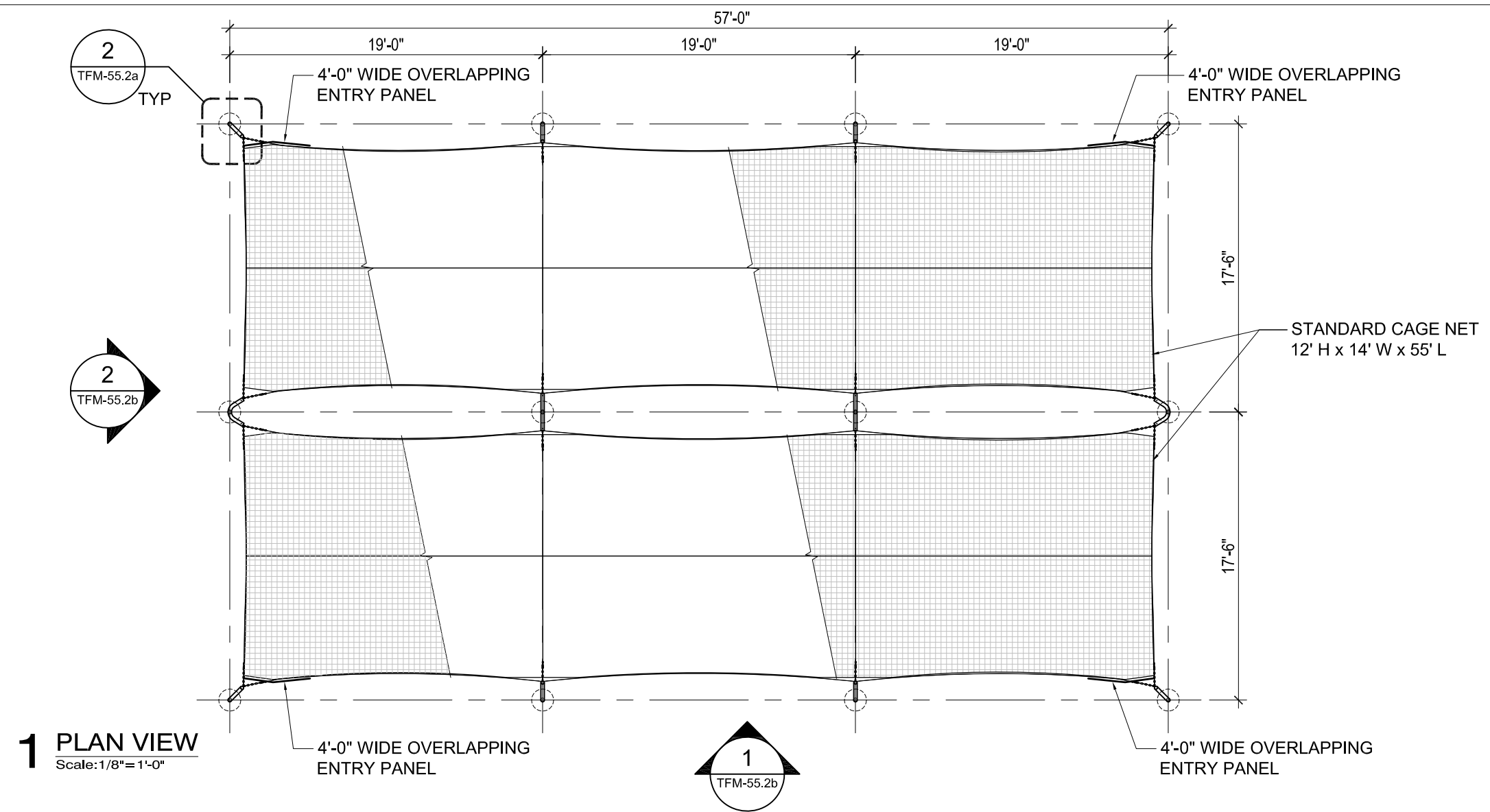


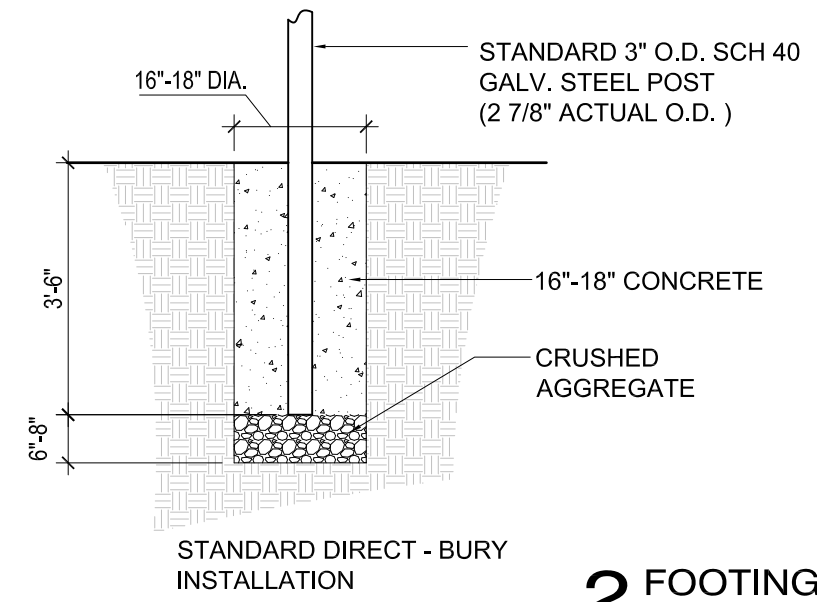
Note to Architect:
 Drawing shown is for a standard product.
 Dimensions can be customized as needed.
 Any changes must be authorized and approved
 by Beacon Athletics to ensure proper function.



© Copyright 2014 Beacon Athletics,
 Division of Rainbow Group, LLC.

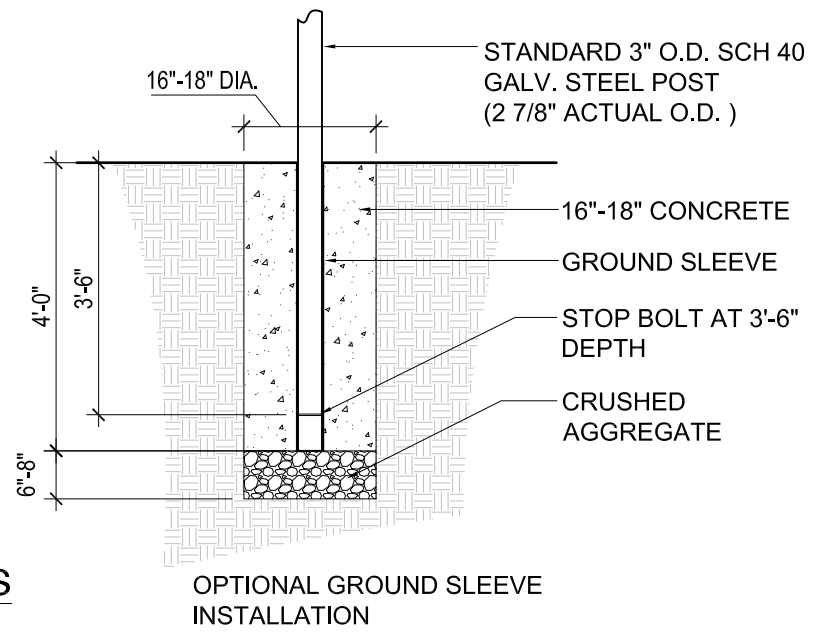


1 PLAN VIEW
 Scale: 1/8" = 1'-0"



STANDARD DIRECT - BURY
 INSTALLATION

2 FOOTING DETAILS
 Scale: 3/8" = 1'-0"



OPTIONAL GROUND SLEEVE
 INSTALLATION

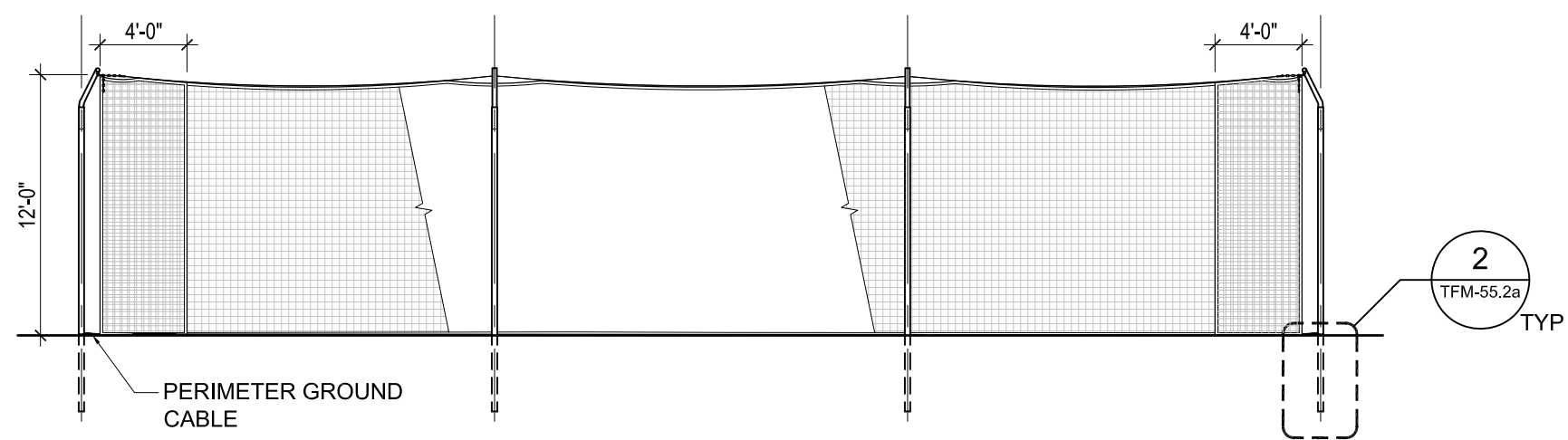


TUFFframe™ MODULAR BATTING CAGE
 • 55' DOUBLE BATTING CAGE ITEM #105-100-160

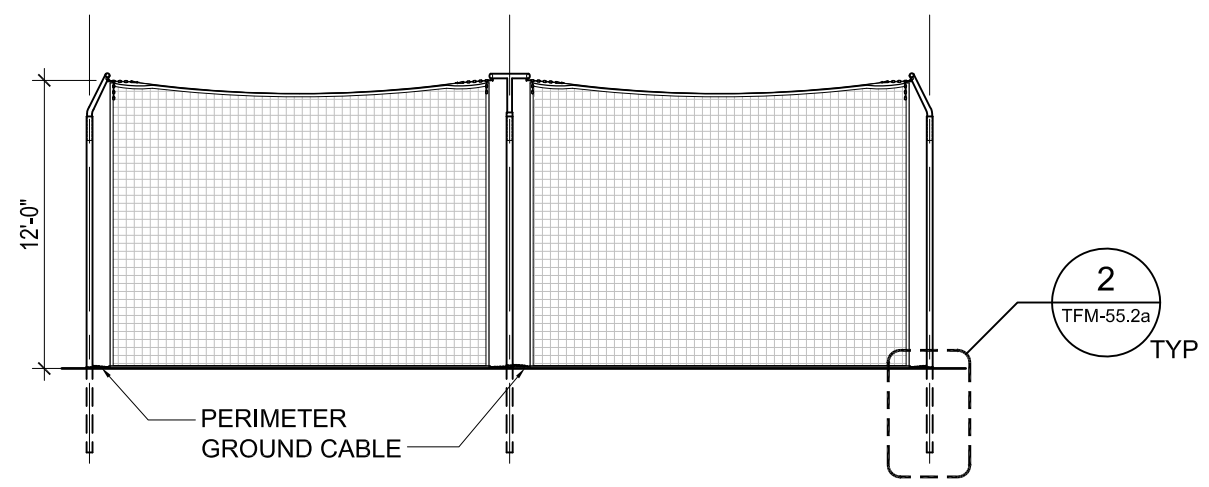
DRAWING TITLE:
**TUFFframe™ MODULAR OUTDOOR 55' BATTING CAGE - DOUBLE
 PLAN AND FOOTING DETAILS**

REVISION #	BY	DATE

SCALE: SEE DWG
 DRAWN BY: JP
 DATE: 06/23/2014
 DRAWING NO:
TFM-55.2a



1 SIDE ELEVATION
Scale: 1/8" = 1'-0"



2 END ELEVATION
Scale: 1/8" = 1'-0"

DRAWING TITLE:
TUFFframe™ MODULAR OUTDOOR 55' BATTING CAGE - DOUBLE ELEVATIONS

CLIENT: .
PROJECT NAME: .
PROJECT LOCATION: .

REVISION #	DATE	BY
.	-/-	.

SCALE:	SEE DWG
DRAWN BY:	JP
DATE:	06/23/2014
DRAWING NO:	TFM-55.2b