

Pitcher's L & 8 x 8 Fungo



ASSEMBLY GUIDE



8x8 FUNGO & PITCHER'S L

Congratulations on the purchase of your professional grade *TUFFScreen™* infield screen. Some basic assembly is required. Assembly of the frame and wheel kit will only take a few minutes. Lacing the net to the frame will take approximately 60 minutes. **Your satisfaction is our ultimate goal.** Contact us online at beaconathletics.com/contact or call 800-747-5985 if you have questions.

■ Order of Assembly:

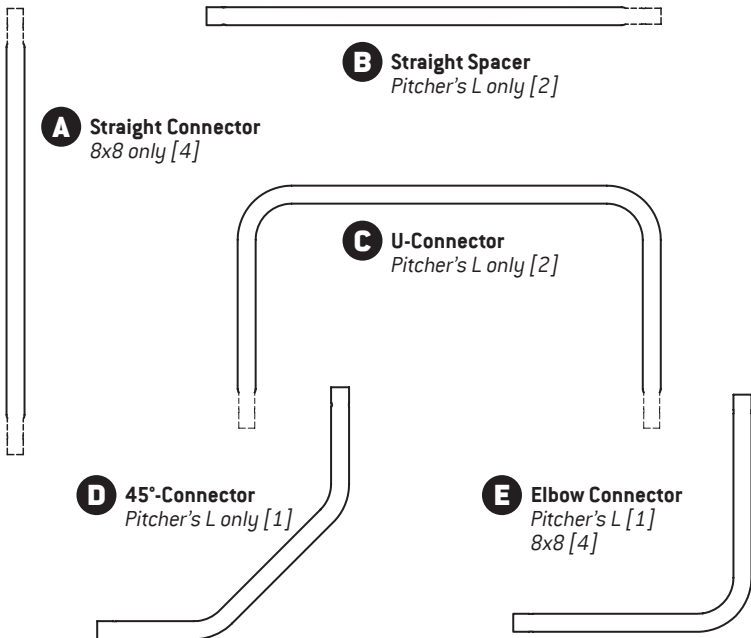
1. Assemble frame
2. Attach axle tube & wheel kit
3. Add pillowcase net
4. Attach padding to frame
5. Cover padding with vinyl cover

■ Tools You'll Need:

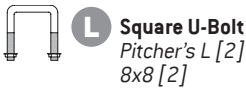
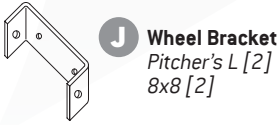
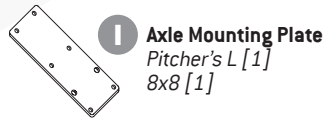
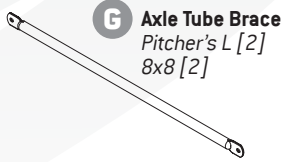
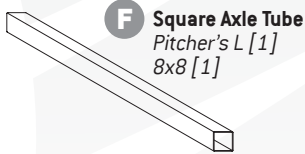
1. Two 9/16" Box End Wrenches
2. Shears
3. Tape Measure or Ruler

BASIC FRAME PARTS

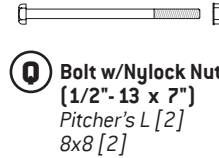
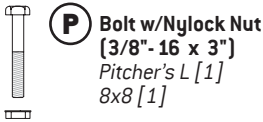
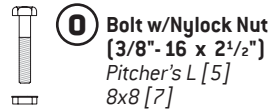
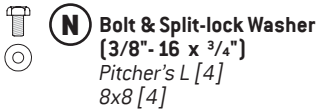
QUANTITY listed in [brackets] for each part for the 8x8 Fungo and the Pitcher's L.



AXLE TUBE & WHEEL KIT PARTS

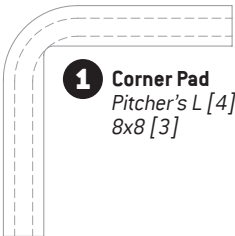


BASIC HARDWARE



PADDING & NET PARTS

NOTE: Heavy-duty UV-treated #72 knotted nylon net and a vinyl cover roll with cable ties also included.

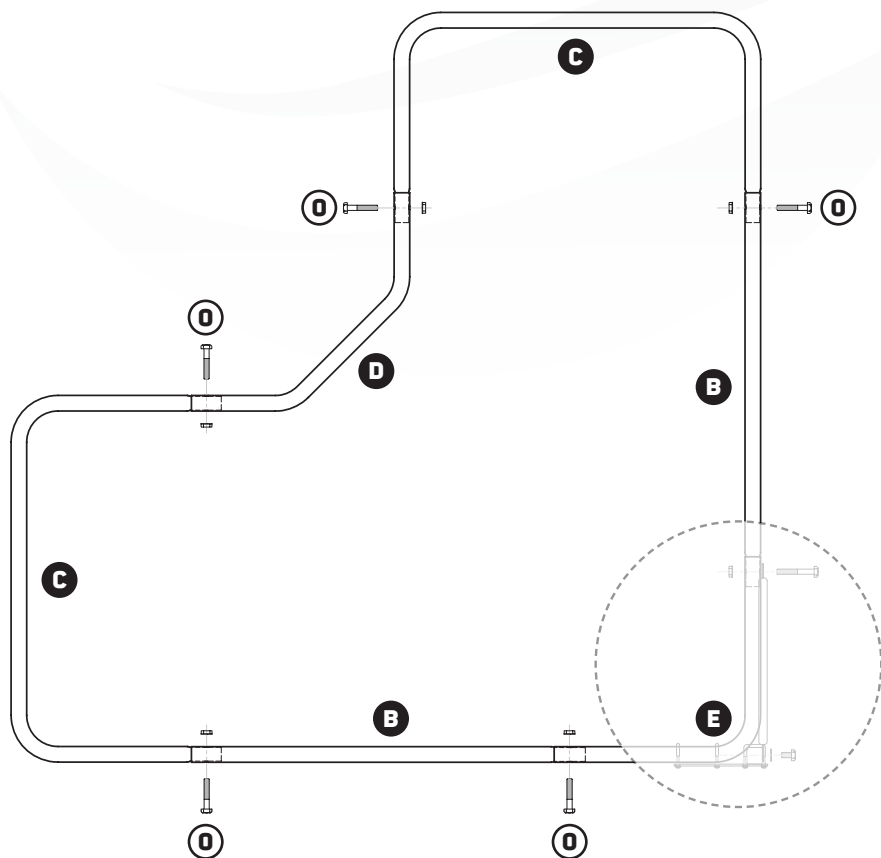


FRAME ASSEMBLY

Assemble frame as shown, referencing the parts list on the previous page. You'll need two 9/16" box end wrenches to complete frame assembly.

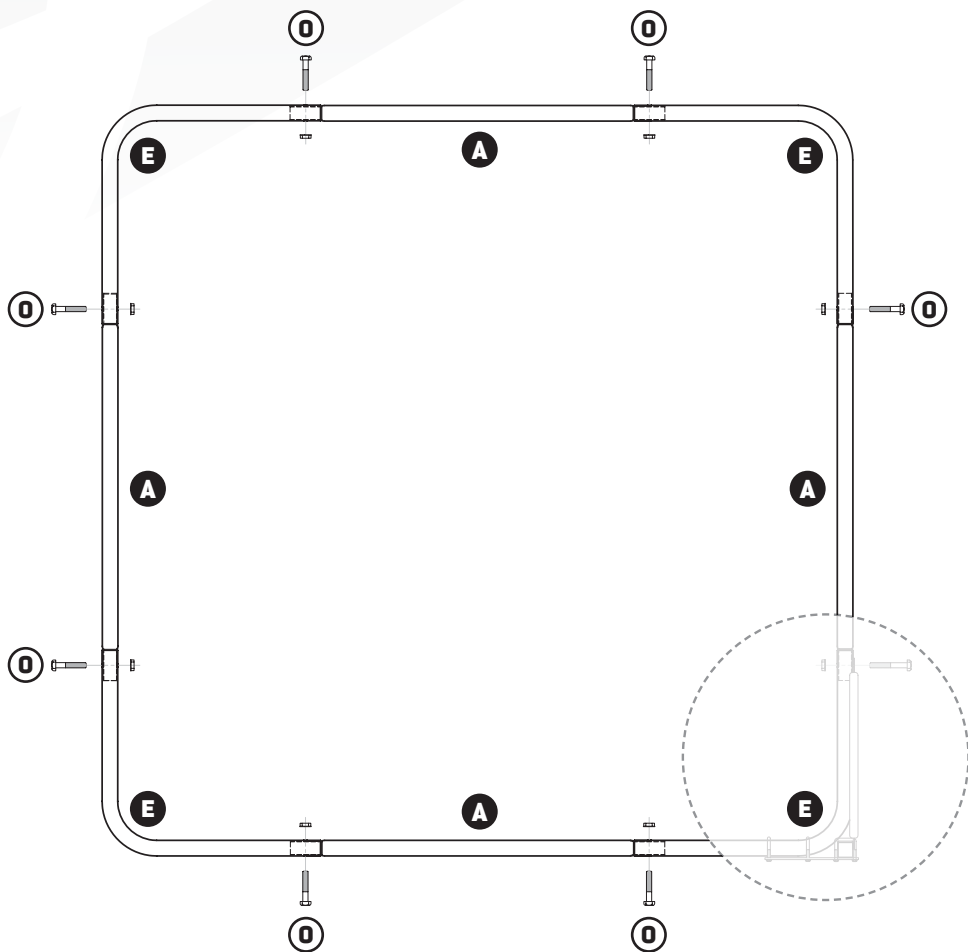
For the Pitcher's L you will use the Straight Spacer (**B**), U-Connector (**C**), 45°-Connector (**D**), and the Elbow Connector (**E**) with 2 1/2" Bolts with Nylock Nut (**O**).

Detailed instructions for axle tube and wheel kit assembly (circled) are on pages 6-8.



For the 8 x 8 Fungo you will use the Straight Connector (A) and the Elbow Connector (E) with the 2 1/2" Bolts with Nylock Nut (O).

Detailed instructions for axle tube and wheel kit assembly (circled) are on pages 6-8.



ATTACH SQUARE AXLE TUBE & BRACES

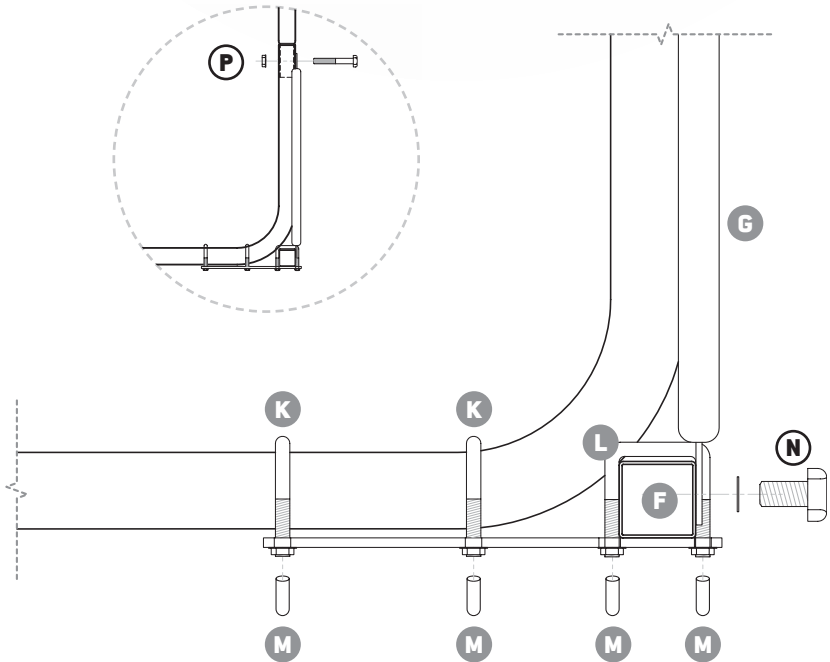
NOTE: Hand tighten all bolts until wheels are attached (page 8).

- ❶ Using the Round-U Bolts (K) attach the Axle Mounting Plate (I) to frame as shown below.
- ❷ Attach the Square Axle Tube (F) to the Axle Mounting Plate (I) using the Square U-Bolts (L).
- ❸ Attach the two Axle Tube Braces (G) to the Net Frame using 3/8" Bolt with Nylock Washer (P). The opposite ends of the Axle Tube Braces will be secured when the wheels are attached (page 8).
- ❹ After wheels are attached, tighten all bolts, trim Bolt Caps (M) and cover exposed bolt ends on the backside of Axle Mounting Plate (I).

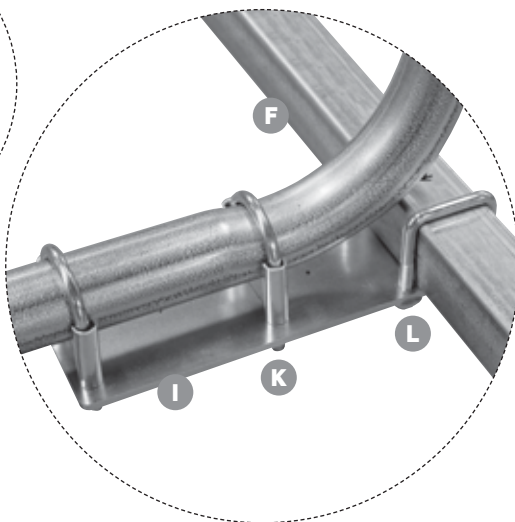
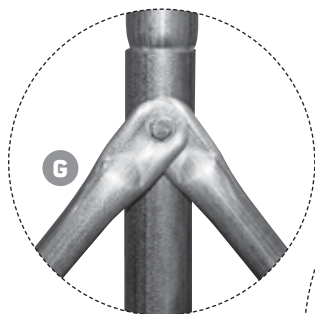
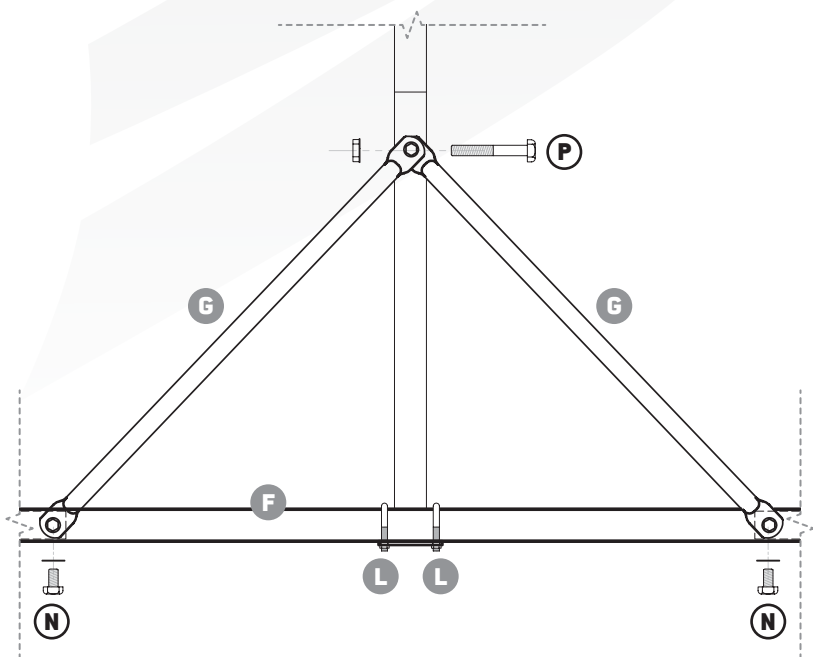
Assembly is the same for both the Pitcher's L and the 8 x 8 Fungo.

(Also see parts list on page 3)

SIDE VIEW



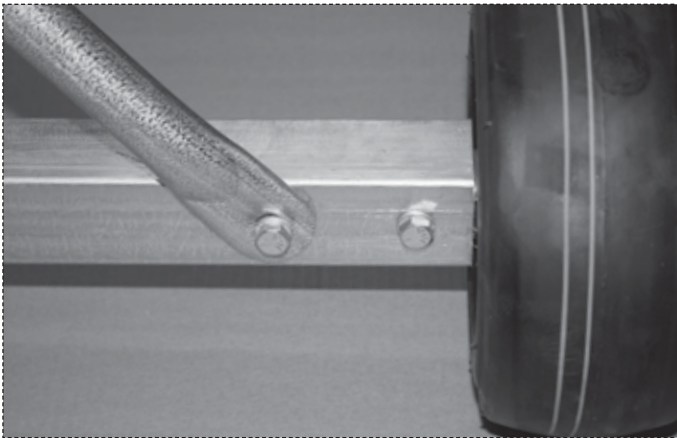
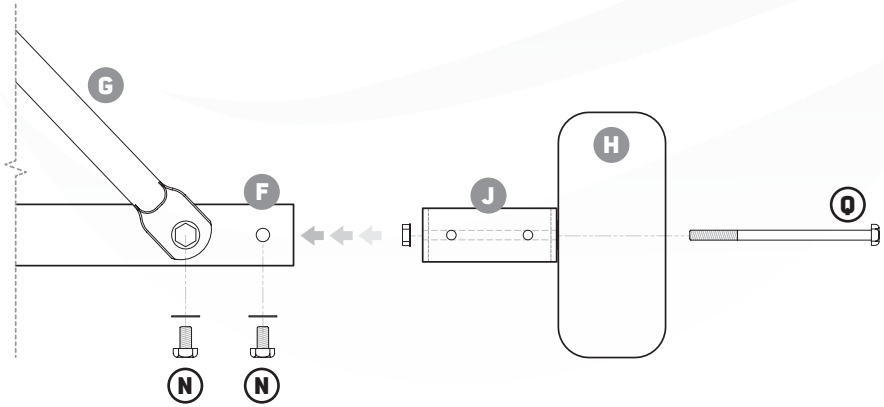
BACK VIEW



ATTACH WHEELS

With your frame assembled and axle tube in place, attach the wheels as shown below. First, attach the Wheel Bracket (J) to the Tire (H). Position the Wheel Bracket, then run the 7" Bolt (Q) through the Tire and both ends of the Wheel Bracket and secure with Nylock Nut. With Wheel Bracket attached to the Tire, insert the Bracket into the Square Axle Tube (F) and secure with 3/4" Bolts and Washers (N). With wheels attached, tighten all bolts.

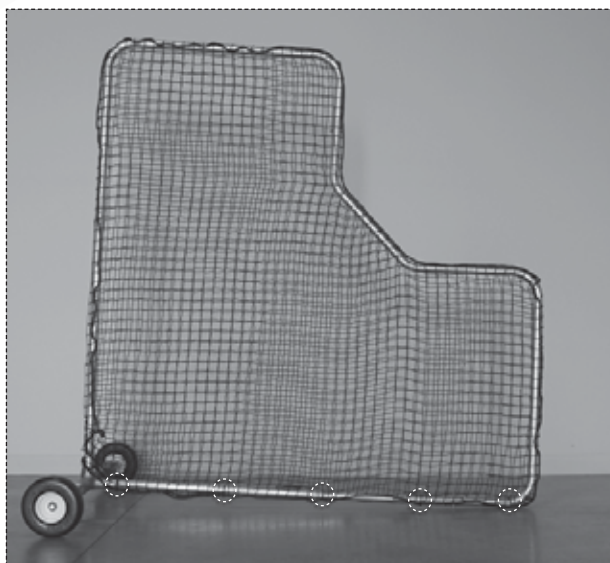
Assembly is the same for both the Pitcher's L and the 8 x 8 Fungo.



ADD PILLOWCASE NET

You'll need the included cable ties to add the net. *Assembly is the same for both the Pitcher's L and the 8 x 8 Fungo.*

- 1 Align net with the frame. Be sure to align net for your model — for example, align the Pitcher's L net to match shape of the frame.
- 2 Slide pillowcase net over the top of frame, pulling the net downward over the entire frame until you reach the bottom.
- 3 Secure the bottom edge of the net to the bottom of the frame using cable ties.

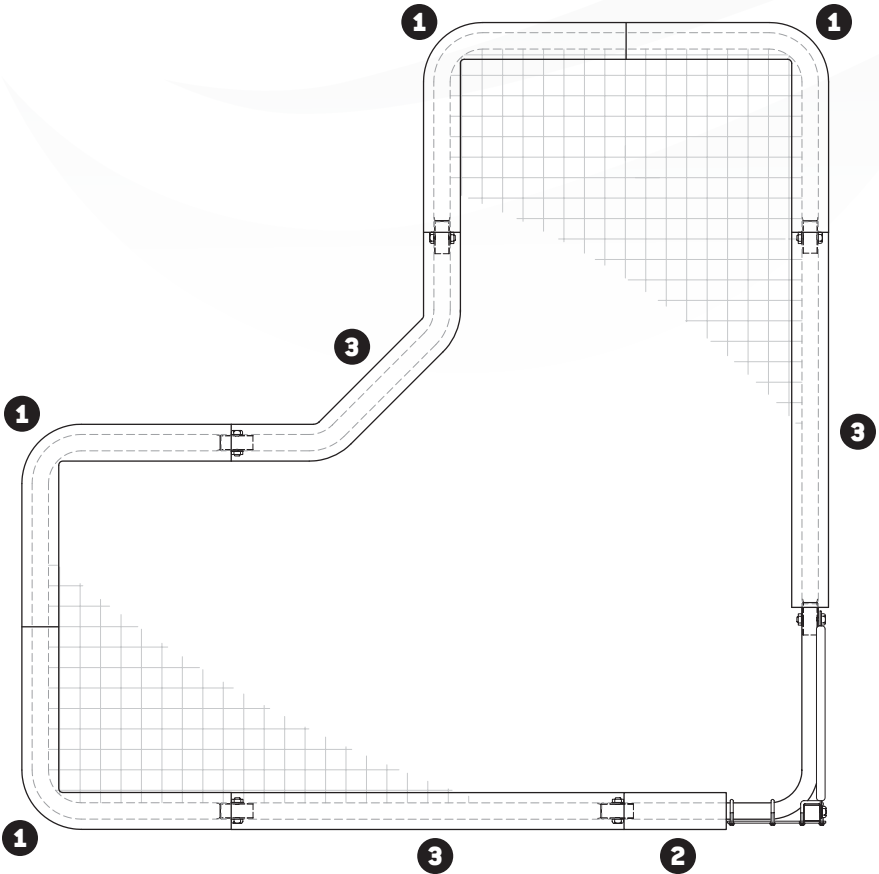


Add cable ties to secure pillowcase net.

ATTACH PADDING TO FRAME

Pitcher's L

- 1 Attach the four corner pads (1) (notch placed at 90° corner of frame).
- 2 Attach the one short pad (2) (see lower right corner of illustrations).
- 3 Attach the three long pads (3).

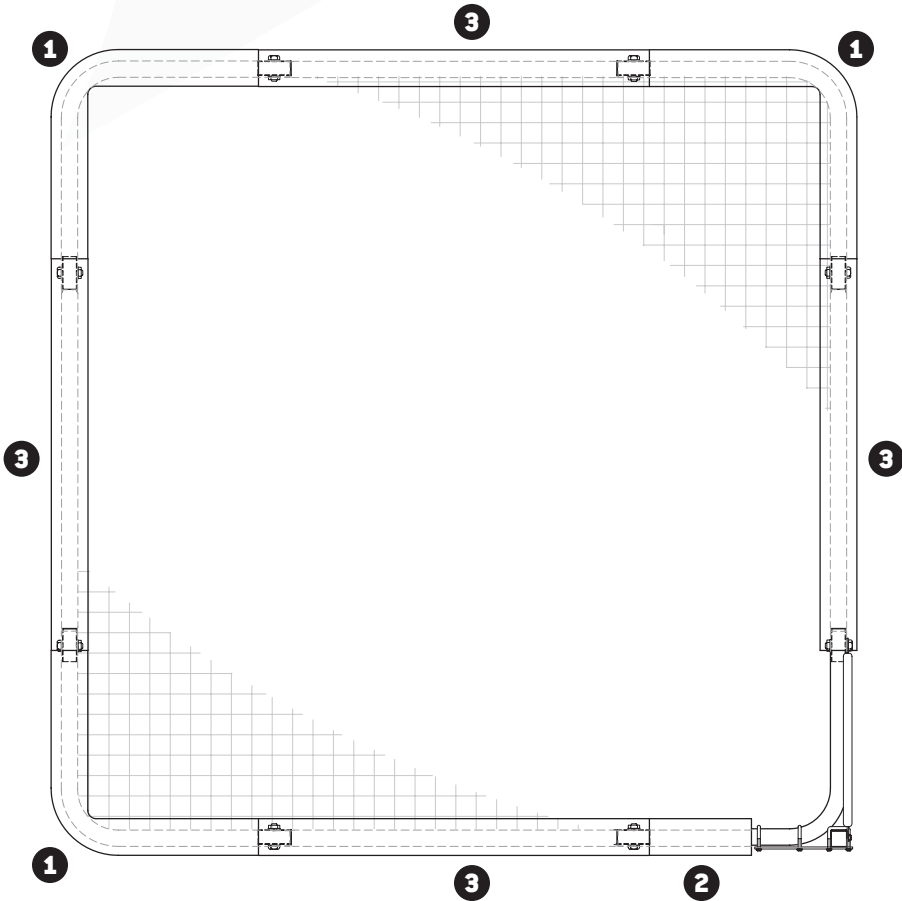


ATTACH PADDING TO FRAME

8' x 8' Fungo

See back page
for notes
about adding
vinyl pad cover.

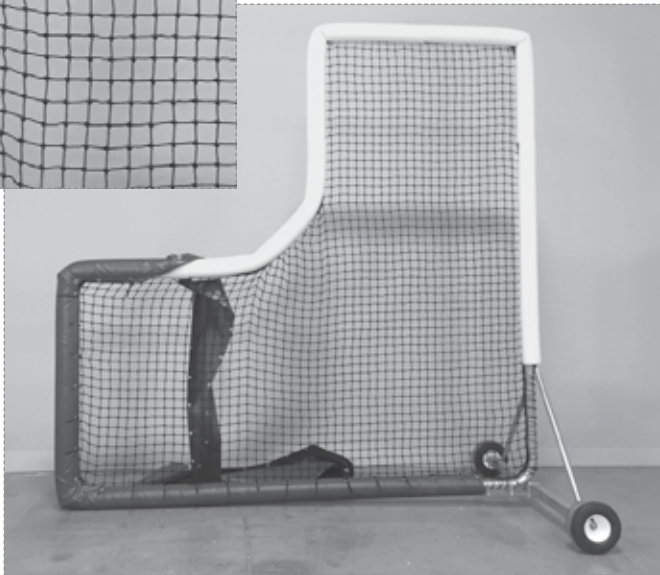
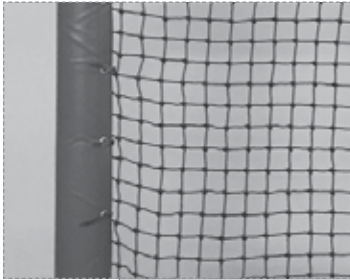
- 1 Attach the three corner pads (1) [notch placed at 90° corner of frame].
- 2 Attach the one short pad (2) [see lower right corner of illustrations].
- 3 Attach the four long pads (3).



COVER PADDING WITH VINYL COVER

To cover the padding you will need to use shears.

- **Layout Vinyl Cover** and wrap over padding, securing with 8" cable ties.
- **Tuck in** as needed on corners.
- **Trim cable tie ends** flush with capture end.
- **Trim excess vinyl** as needed.



BeaconAthletics.com | 800-747-5985 | fax 608-836-0724

8233 FORSYTHIA STREET, SUITE 120, MIDDLETON, WI 53562

© Copyright 2017, Beacon Athletics, A division of Rainbow Group, LLC. All Rights reserved. This material may not be republished, rewritten or redistributed including electronically cached without the prior written consent of Beacon Athletics.

Version 2 rev.2017-02