

Protective Infield Screens

ASSEMBLY GUIDE



BEACON  **ATHLETICS**

Protective Infield Screens

Congratulations on the purchase of your Beacon Infield Screen. Some basic assembly is required. Assembly of the frame and wheel kit (if applicable) will only take a few minutes. Lacing the net to the frame will take approximately 60 minutes.

If you purchased a Pitcher's L Screen with the full frame padding kit, attaching and covering the padding will take approximately 60 minutes.

Your satisfaction is our ultimate goal. Please contact us online at beaconathletics.com/contact or call 800-747-5985 if you have questions.

■ **Order of Assembly:**

1. Assemble frame
2. Attach square leg tube
3. Lace net to frame
4. Attach wheels
(optional wheel kit required)
5. Attach padding to frame
(Pitcher's L only)
6. Cover padding with vinyl cover
(Pitcher's L only)

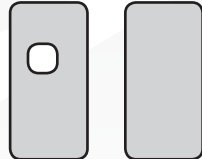
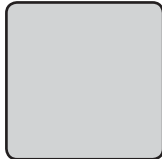
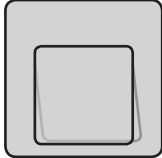
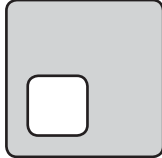
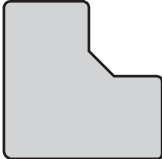
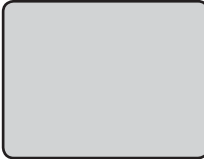
■ **Tools You'll Need:**

1. Two 9/16" Box End Wrenches
2. Scissors and a lighter or match
(7 x 4 Pitching Machine Screen only)

TABLE OF CONTENTS

<p>4 Frame Assembly 7 x 4 Pitching Machine or Coaches Flip Screen</p> <p>6 Frame Assembly 7 x 7 Infield Screens Standard, Capture, and Softball Screen</p> <p>8 Frame Assembly 7 x 7 Pitcher's L Screen</p> <p>10 Frame & Wheel Assembly 7 x 10 Shagger Screen</p>	<p>12 Add Net to Frame <i>All models</i></p> <p>12 Add Optional Wheel Kit <i>Optional for 7 x 4 and 7 x 7 models</i></p> <p>13 Custom Net Setup <i>7 x 4 Pitching Machine only</i></p> <p>14 Add Padding Optional Padding Kit <i>7 x 7 Pitcher's L only</i></p> <p>15 Add Vinyl Cover to Padding <i>7 x 7 Pitcher's L only</i></p>
--	---

Assembly Instructions included for these Infield Screens:

<p>PAGE 4</p>  <p>7' x 4' Pitching Machine Screen 7' x 4' Coaches Flip Screen 135-100-470</p> <p>.....</p>	<p>PAGE 6</p>  <p>7' x 7' Standard Infield Screen 135-100-420</p> <p>.....</p>
<p>PAGE 6</p>  <p>7' x 7' Capture Screen <i>w/soft toss net</i> 135-100-410</p> <p>.....</p>	<p>PAGE 6</p>  <p>7' x 7' Softball Screen 135-100-400</p> <p>.....</p>
<p>PAGE 8</p>  <p>7x7 Pitcher's L Screen Pitcher's L 135-100-430 w/padding kit 135-100-480</p> <p>.....</p>	<p>PAGE 10</p>  <p>7' x 10' Shagger Screen <i>wheel kit included</i> 135-100-450</p> <p>.....</p>

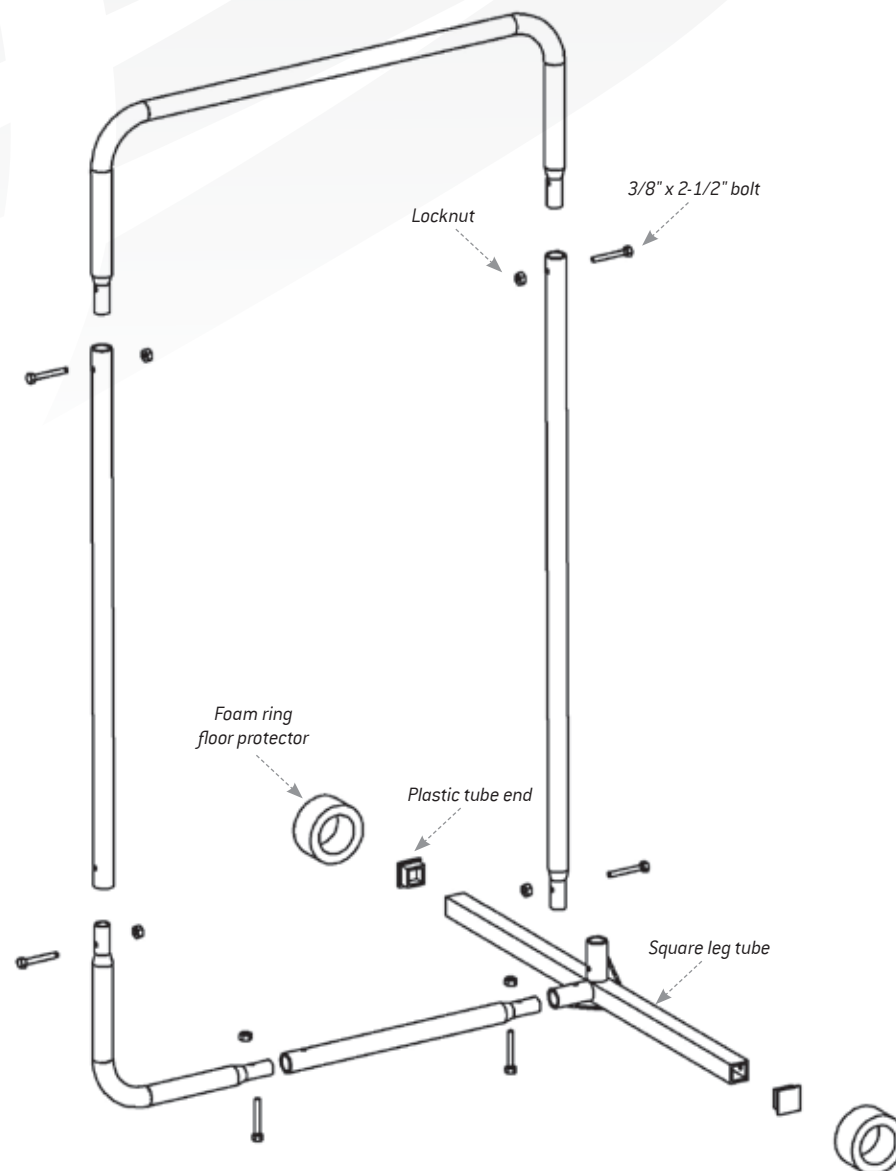
7 x 4 Screen

Coaches Flip Screen & Pitching Machine Screen

You'll need two 9/16" box end wrenches to complete frame assembly.

- 1 Assemble frame tubes as shown in diagram (right).
- 2 Align bolt holes in frame and insert bolts as shown, from outside in. There are six 3/8" x 2-1/2" bolts.
- 3 Secure locknut to each bolt using a 9/16" wrench.
- 4 Insert square plastic tube ends to each end of the square leg tube.
- 5 For use indoors, slide foam ring floor protectors over each end of the square leg tube.

This completes frame assembly. Continue to page 12 for net instructions. If you purchased the Optional No-Flat Wheel Kit, you will find instructions for adding wheels on page 12 as well.



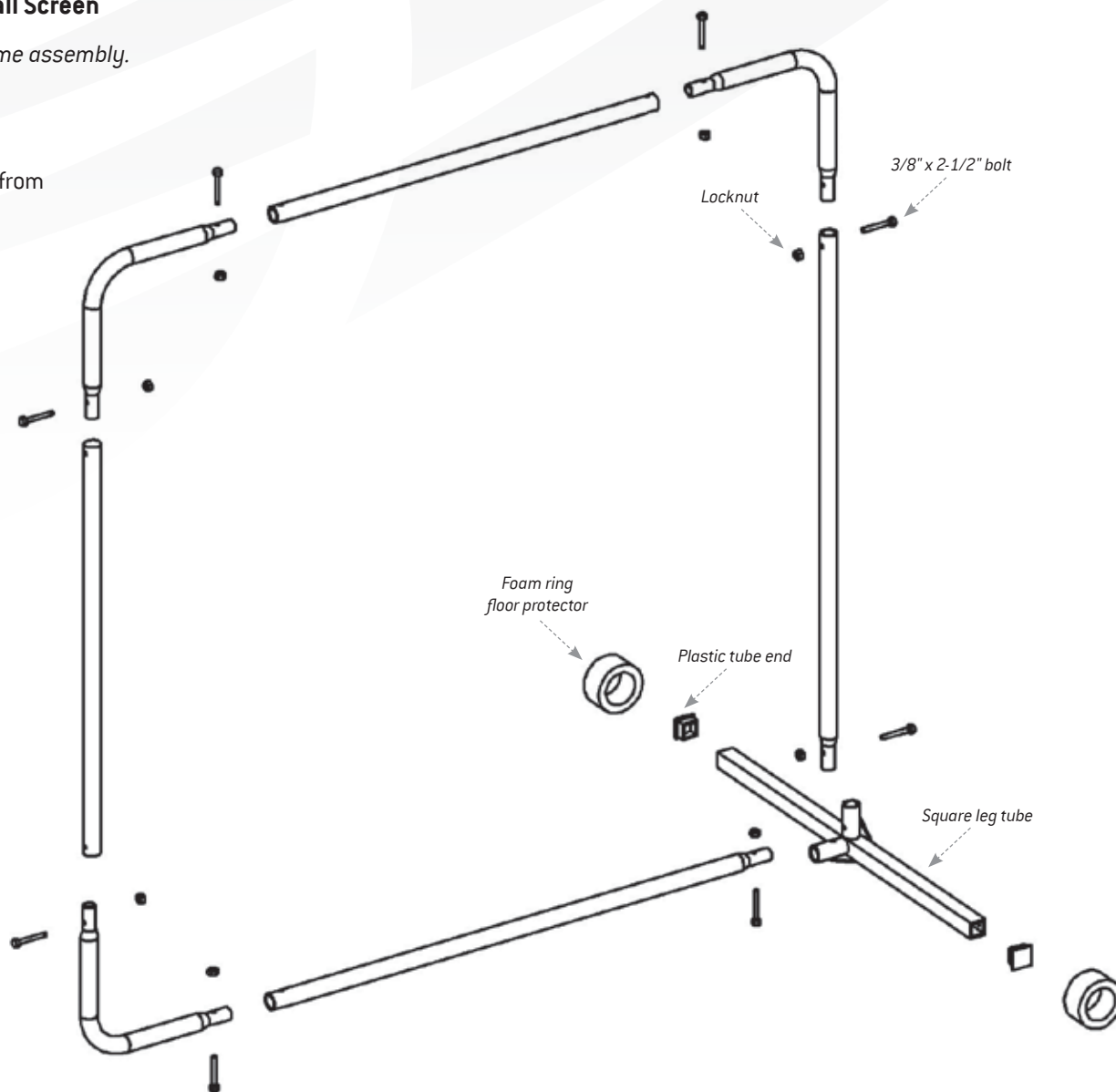
7 x 7 Screens

Standard Infield Screen, Capture Screen, Softball Screen

You'll need two 9/16" box end wrenches to complete frame assembly.

- 1 Assemble frame tubes as shown in diagram (right).
- 2 Align bolt holes in frame and insert bolts as shown, from outside in. There are eight 3/8" x 2-1/2" bolts.
- 3 Secure locknut to each bolt using a 9/16" wrench.
- 4 Insert square plastic tube ends to each end of the square leg tube.
- 5 For use indoors, slide foam ring floor protectors over each end of the square leg tube.

This completes frame assembly. Continue to page 12 for net instructions. If you purchased the Optional No-Flat Wheel Kit, you will find instructions for adding wheels on page 12 as well.

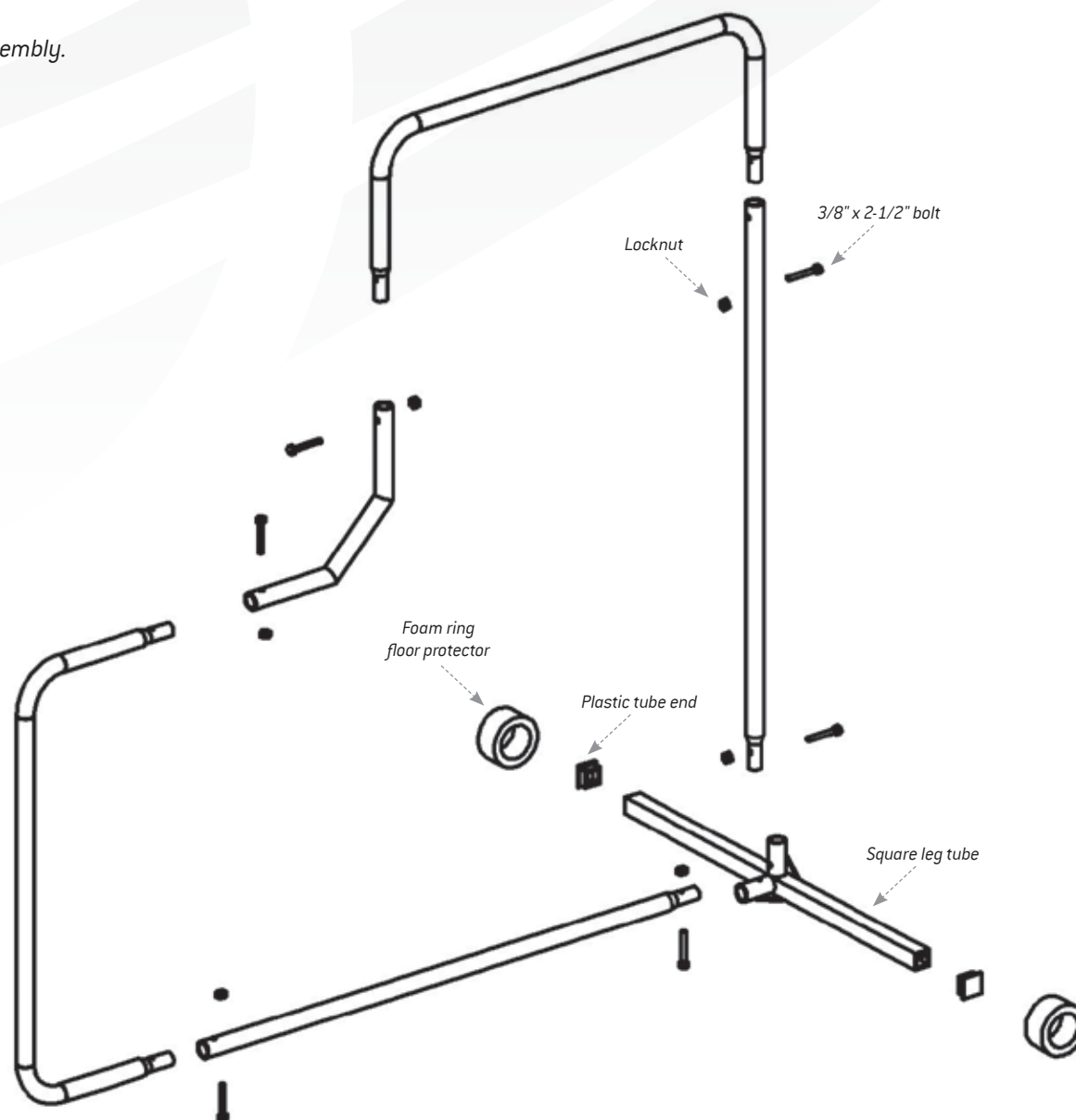


7 x 7 Pitcher's L Screen

You'll need two 9/16" box end wrenches to complete frame assembly.

- 1 Assemble frame tubes as shown in diagram (right).
- 2 Align bolt holes in frame and insert bolts as shown, from outside in. There are six 3/8" x 2-1/2" bolts.
- 3 Secure locknut to each bolt using a 9/16" wrench.
- 4 Insert square plastic tube ends to each end of the square leg tube.
- 5 For use indoors, slide foam ring floor protectors over each end of the square leg tube.

This completes frame assembly. Continue to page 12 for net instructions. If you purchased the Optional No-Flat Wheel Kit, you will find instructions for adding wheels on page 12 as well.

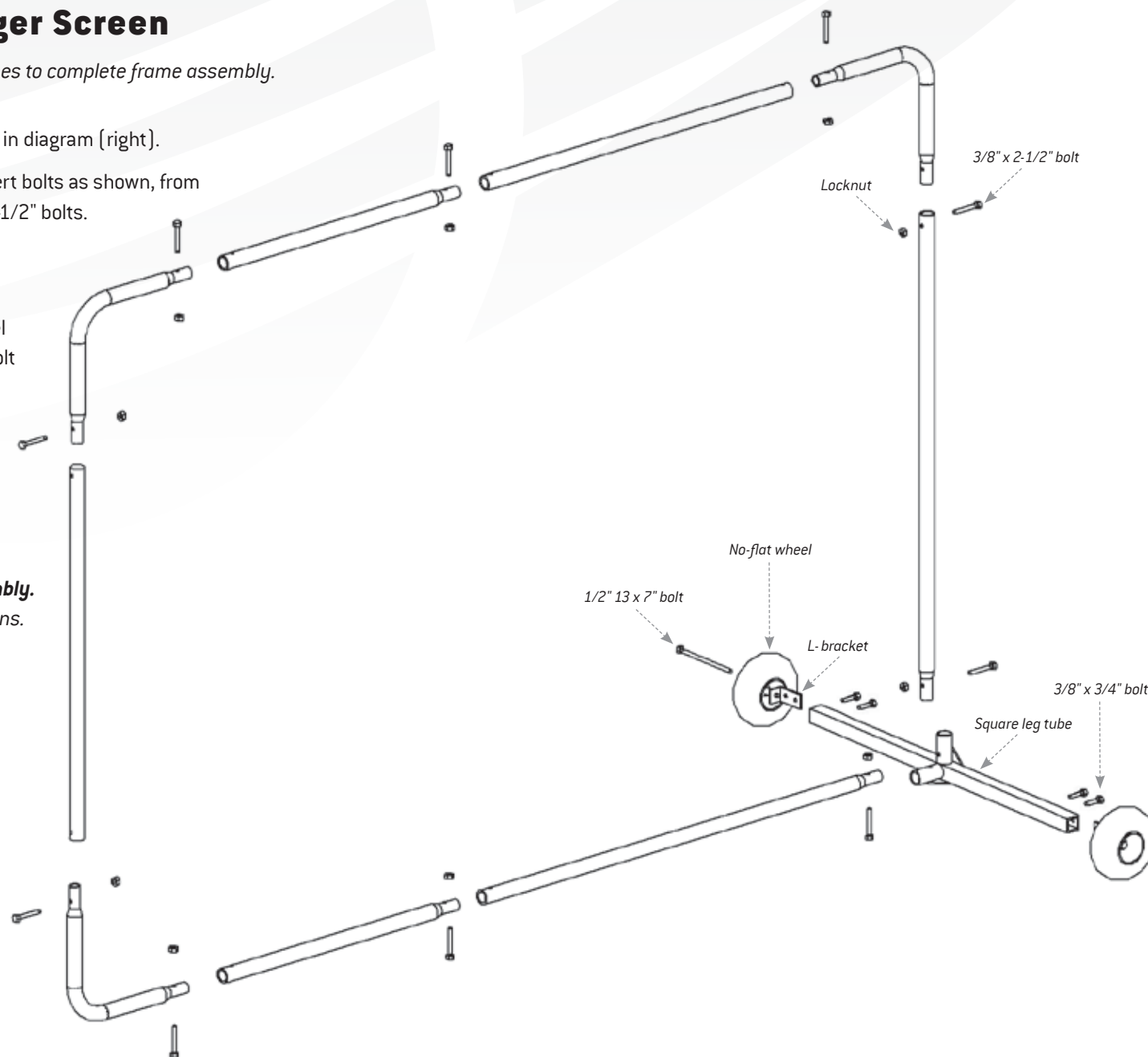


7 x 10 Shagger Screen

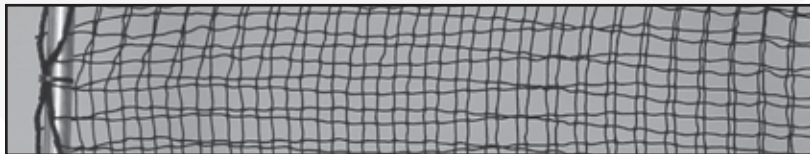
You'll need two 9/16" box end wrenches to complete frame assembly.

- 1 Assemble frame tubes as shown in diagram (right).
- 2 Align bolt holes in frame and insert bolts as shown, from outside in. There are ten 3/8" x 2-1/2" bolts.
- 3 Secure locknut to each bolt using a 9/16" wrench.
- 4 Align L-bracket with No-flat wheel as shown and use 1/2" 13 x 7" bolt to secure to wheel.
- 5 Insert L-bracket attached to wheel into square leg tube and align holes. Use 3/8" x 3/4" bolts to secure wheel to leg tube.

This completes frame & wheel assembly.
Continue to page 12 for net instructions.



ADD PILLOWCASE NET



For all models

You'll need the included cable ties to add the net.

- 1 Align net with the frame. Be sure to align net for your model — for example, align the Pitcher's L net to match shape of the frame.
- 2 Slide pillowcase net over the top of frame, pulling the net downward over the entire frame until you reach the bottom.
- 3 Secure the bottom edge of the net to the bottom of the frame using cable ties.

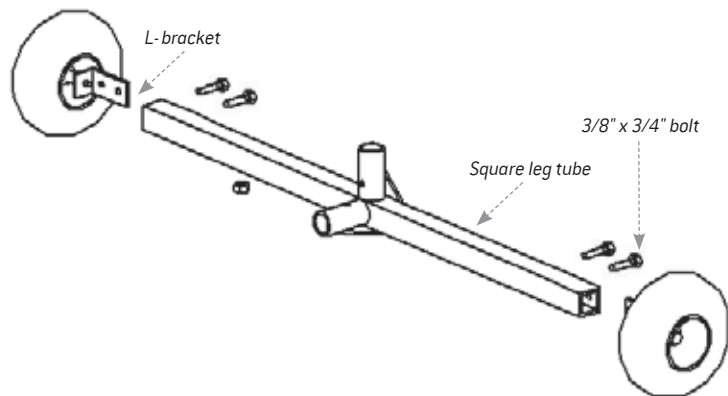
OPTIONAL WHEEL KIT ASSEMBLY

For any 7 x 4 or 7 x 7 model

Optional No-Flat Wheel Kit required.

You'll need two 9/16" box end wrenches to complete assembly.

- 1 Insert L-bracket attached to wheel into square leg tube and align holes.
- 2 Use 3/8" x 3/4" bolts to secure wheel to leg tube.

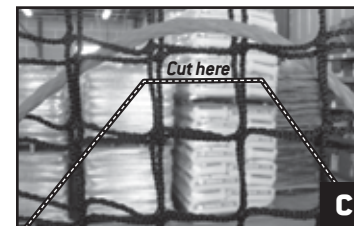
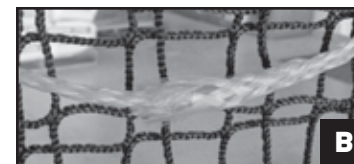


PITCHING SCREEN NET SETUP

7 x 4 Pitching Machine Screen

You'll need scissors and a lighter or matches to complete net setup.

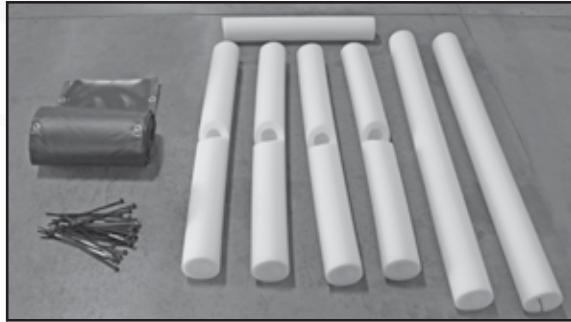
- 1 Place screen in front of pitching machine.
- 2 Determine where the opening in the net should be.
- 3 Determine how large an opening you need — try to keep the opening as small as possible while still allowing balls to pass through unobstructed.
- 4 Thread the yellow poly rope through both sides of the pillowcase net to outline the opening you will create (A).
- 5 Where the rope ends meet, slide one end inside the other to create a closed circle (B).
- 6 Briefly heat the rope ends with a lighter or match to keep the line in place and prevent fraying.
- 7 Using a sharp scissors, cut the net away from inside your closed circle to create the opening (see suggested cut line in photo C).
- 8 Heat tag ends of each section of net to prevent fraying.



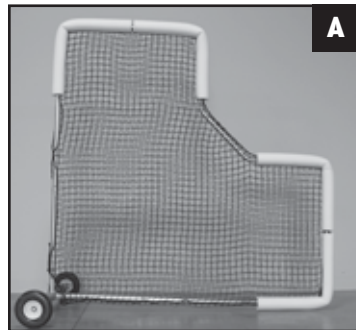
OPTIONAL PADDING KIT ASSEMBLY

7 x 7 Pitcher's L Only

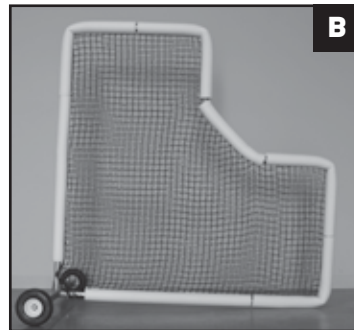
Optional Full Padding Kit required, sheers needed to complete assembly.



- 1 Begin by attaching the four notched pieces of foam padding to the corners as shown (A).



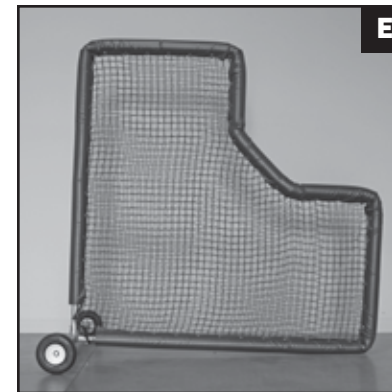
- 2 Next, attach the short piece in the corner of the L, and the two long pieces along the left and bottom edges of the frame (B).



- 3 To attach the vinyl cover over the padding, begin at the bottom left corner as shown below. (C).



- 4 Secure the vinyl cover with cable ties, trimming the cable tie ends as you go (D).



- 5 Extend the vinyl cover around the rest of the frame, finishing by coming down the left side (E).

Consider these Beacon Built field maintenance products ...

ADJUSTABLE WEIGHT DRAG SYSTEMS!



Beacon X-Drag Field Weight Kit



Beacon Adjustable Weight Nail Drag System



Get the weight right with either the Beacon X-Drag Kit Field Kit or Adjustable Weight Nail Drag System. Both allow you to adjust the weight with Beacon Field Weights. The correct weight depends upon many factors, and field weights put you in control.

COCOA MOP & SLOPE GAUGE



Cocoa Mop



Beacon Mound Slope Gauge

Improve your efficiency and accuracy with these tried and true Beacon products.

The classic Cocoa Mop is excellent on mounds and for those tight maneuvering areas, while the heavy-duty aluminum Mound Slope Gauge gives you an accurate indication of your mound slope.

Contact us or visit BeaconAthletics.com



BeaconAthletics.com | 800-747-5985 | fax 608-836-0724

8233 FORSYTHIA STREET, SUITE 120, MIDDLETON, WI 53562

© Copyright 2017, Beacon Athletics, A division of Rainbow Group, LLC. All Rights reserved. This material may not be republished, rewritten or redistributed including electronically cached without the prior written consent of Beacon Athletics.

Version 1 rev.2017-01