

# INFIELD SKIN TARP CUSTOM MEASUREMENT GUIDE

## DIMENSION KEY:

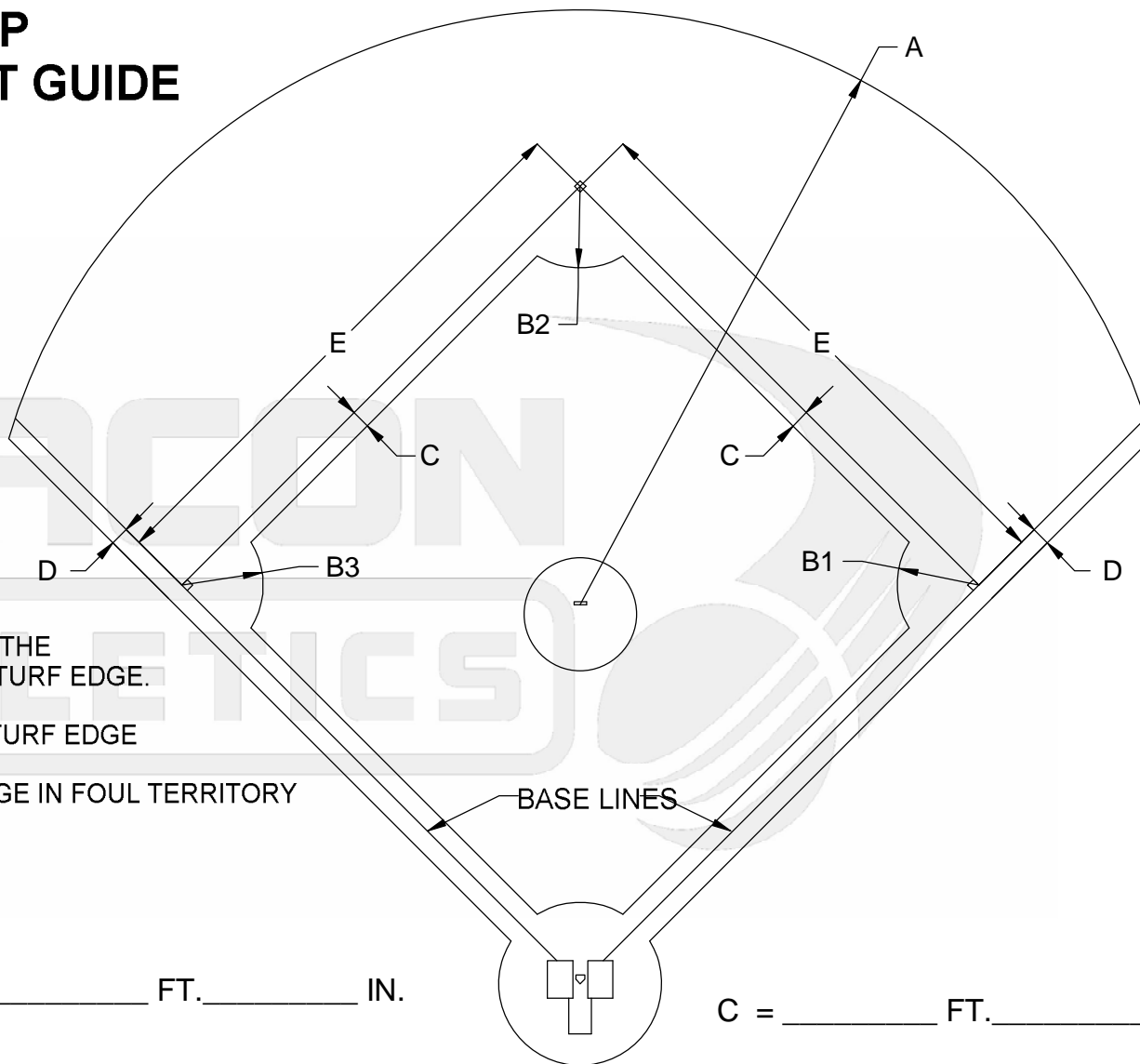
A = RADIUS OF INFIELD ARC MEASURED FROM THE FRONT CENTER EDGE OF THE PITCHING RUBBER TO THE BACK OUTSIDE EDGE OF THE INFIELD SKIN.

B = RADIUS OF BASE CUTOUTS MEASURED FROM THE BACK OUTSIDE CORNERS OF FIRST AND THIRD BASES, AND THE CENTER OF SECOND BASE, TO THE INFIELD TURF EDGE.

C = DISTANCE FROM BASE LINE TO INFIELD TURF EDGE

D = DISTANCE FROM BASE LINE TO TURF EDGE IN FOUL TERRITORY

E = LENGTH OF BASE PATH



A = \_\_\_\_\_ FT. \_\_\_\_\_ IN.

B1 = \_\_\_\_\_ FT. \_\_\_\_\_ IN.

B2 = \_\_\_\_\_ FT. \_\_\_\_\_ IN.

B3 = \_\_\_\_\_ FT. \_\_\_\_\_ IN.

C = \_\_\_\_\_ FT. \_\_\_\_\_ IN.

D = \_\_\_\_\_ FT. \_\_\_\_\_ IN.

E = \_\_\_\_\_ FT. \_\_\_\_\_ IN.

**BEACON**  
**ATHLETICS**

1-800-747-5985



© Copyright 2004 Beacon Athletics, Division of Rainbow Group, LLC. All rights reserved.

This material may not be republished, rewritten, or redistributed, including electronically caching, without the prior written consent of Beacon Athletics.